

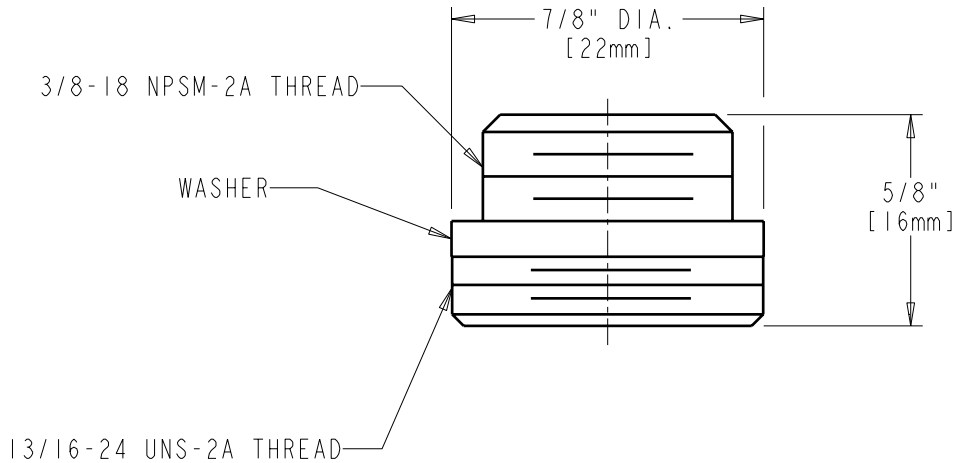
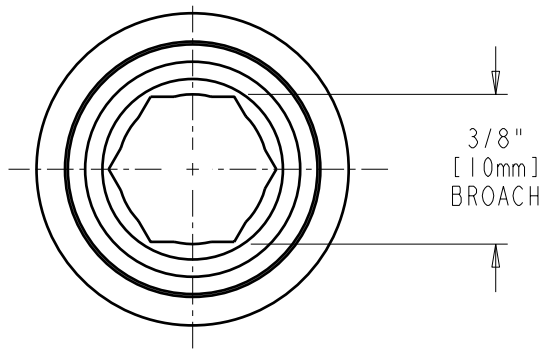
JOB NAME

ITEM NO.

SUBMITTED AS SHOWN

SUBMITTED AS NOTED

SEE ATTACHED FOR
SUBMITTED MODIFICATION




TECHNICAL DATA

- ADAPTER WITH WASHER
- CONVERTS TYPE B SPOUT OUTLETS TO TAKE GROUP A SPOUT ENDS
- FINISH: ROUGH CHROME

DATE: 05-04-07

BY: SID

CHK'D:

APP'D: 

REV:

K2

ROUGHING IN DIMENSIONS MAY VARY AND ARE SUBJECT TO CHANGE. NO RESPONSIBILITY IS ASSUMED FOR USE OF SUPERCEDED OR VOIDED DATA.