



2100 South Clearwater Drive  
Des Plaines, IL 60018  
Phone: 847-803-5000  
Fax: 847-803-5454  
www.chicagofaucets.com

# ROUGH-IN

FITTING NO.

E7JKCTF

SUBMITTED MODEL NO.

BY: JAR

DATE: 12-03-07

CHK: *JAR*

REV:

**FOR TECHNICAL ASSISTANCE**  
1-800-TEC-TRUE (1-800-832-8783)

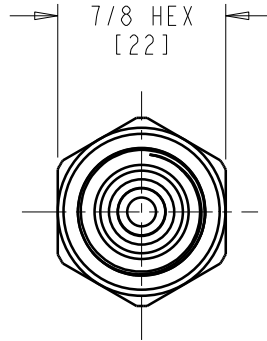
SUBMITTED AS SHOWN

SUBMITTED AS NOTED

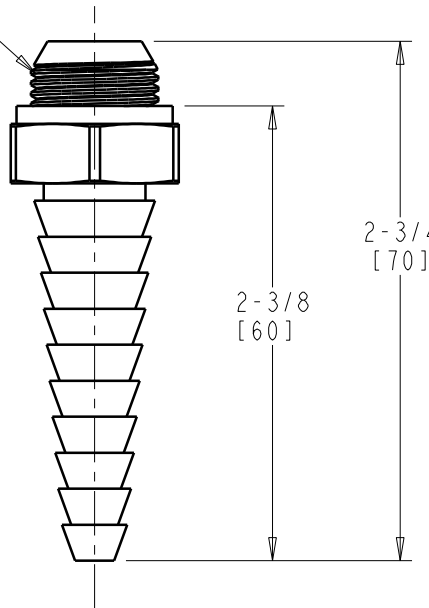
SEE ATTACHED FOR  
SUBMITTED MODIFICATION

JOB NAME

ITEM NO.



3/8 NPSM MALE  
THREAD INLET



DIMENSIONS ARE IN INCHES AND [MILLIMETERS].

### TECHNICAL DATA

- REMOVABLE SERRATED HOSE NOZZLE
- FITS GROUP B TYPE SPOUTS
- INCLUDES WASHER
- FINISH: CHROME PLATE OUTSIDE, TIN PLATE INSIDE

ROUGHING IN DIMENSIONS MAY VARY AND ARE SUBJECT TO CHANGE. NO RESPONSIBILITY IS ASSUMED FOR USE OF SUPERCEDED OR VOIDED DATA.