

ROUGHING IN DIMENSIONS MAY VARY AND ARE SUBJECT TO CHANGE. NO RESPONSIBILITY IS ASSUMED FOR USE OF SUPERCEDED OR VOIDED DATA.



a Geberit company

2100 South Clearwater Drive
Des Plaines, IL 60018
Phone: 847-803-5000
Fax: 847-803-5454
www.chicagofaucets.com

ROUGH-IN

FITTING NO.

E7JKCP

SUBMITTED MODEL NO.

BY: JAR

DATE: 12-03-07

CHK: *JAR*

REV:

FOR TECHNICAL ASSISTANCE
1-800-TEC-TRUE (1-800-832-8783)

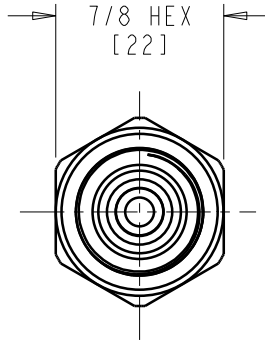
SUBMITTED AS SHOWN

SUBMITTED AS NOTED

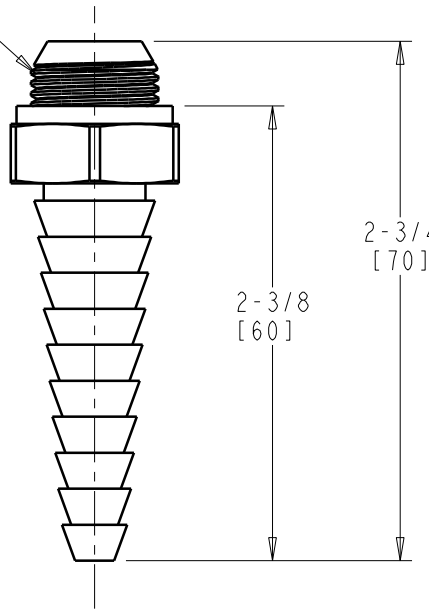
SEE ATTACHED FOR
SUBMITTED MODIFICATION

JOB NAME

ITEM NO.



3/8 NPSM MALE
THREAD INLET



DIMENSIONS ARE IN INCHES AND [MILLIMETERS].

TECHNICAL DATA

- REMOVABLE SERRATED HOSE NOZZLE
- FITS GROUP B TYPE SPOUTS
- INCLUDES WASHER
- FINISH: CHROME PLATE