

JOB NAME

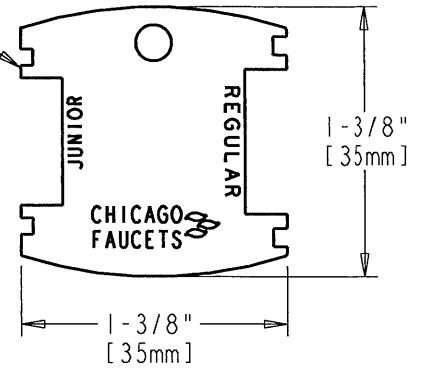
ITEM NO.

SUBMITTED AS SHOWN

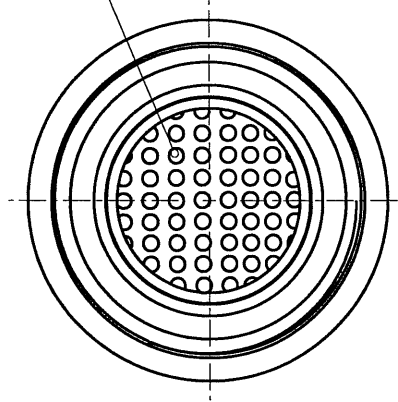
SUBMITTED AS NOTED

SEE ATTACHED FOR
 SUBMITTED MODIFICATION

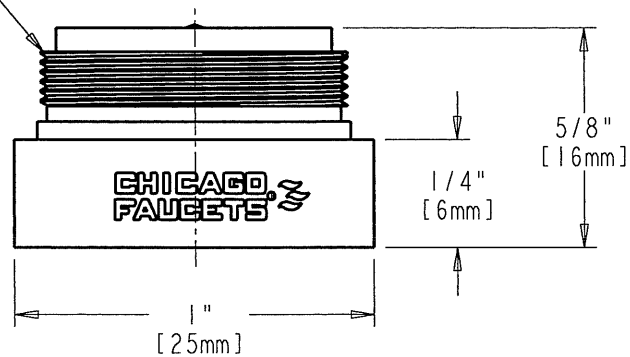
3-024 VANDAL
 OUTLET KEY



ORANGE INSERT INDICATES 1.5 GPM



13/16"-27 MALE THREAD



ROUGHING IN DIMENSIONS MAY VARY AND ARE SUBJECT TO CHANGE. NO RESPONSIBILITY IS ASSUMED FOR USE OF SUPERCEDED OR VOIDED DATA.

TECHNICAL DATA

- 1.5 GPM VANDAL RESISTANT AERATOR
- MEETS ASME A112.18.1M AND CSA STANDARDS
- INCLUDES REQUIRED VANDAL OUTLET KEY
- FINISH: CHROME PLATE

DATE: 1-8-07

BY: JAR

ECN: 07-007

APP'D: *BJA*

REV:

E34VP