

CHICAGO FAUCETS



Last As Long As The Building

2100 SOUTH CLEARWATER DRIVE
DES PLAINES, ILLINOIS 60018-5999

FITTING NO.

E2605

SUBMITTED MODEL NO.

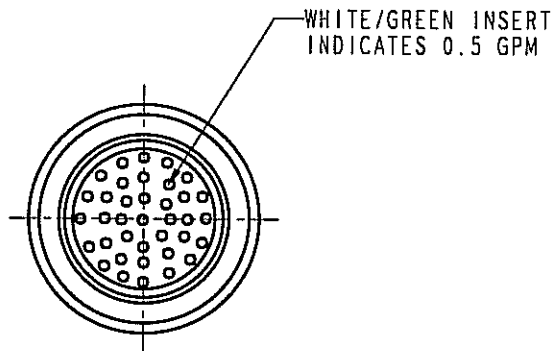
JOB NAME

ITEM NO.

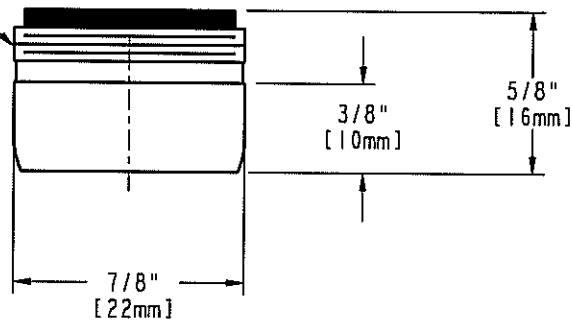
SUBMITTED AS SHOWN

SUBMITTED AS NOTED

SEE ATTACHED FOR
SUBMITTED MODIFICATION



13/16-27 MALE THREAD



DIMENSIONS IN INCHES AND [MILLIMETERS].

TECHNICAL DATA

- 0.5 GPM SPRAY OUTLET
- MEETS ASME A112.18.1M AND CSA STANDARDS
- POLISHED CHROME FINISH

DATE: 05-06-03

BY: SID

CHK'D: *AT*

APP'D:

REV: A

E2605

ROUGHING IN DIMENSIONS MAY VARY AND ARE SUBJECT TO CHANGE. NO RESPONSIBILITY IS ASSUMED FOR USE OF SUPERCEDED OR VOIDED DATA.