



a Geberit company

2100 South Clearwater Drive  
Des Plaines, IL 60018  
Phone: 847-803-5000  
Fax: 847-803-5454  
www.chicagofaucets.com

**FOR TECHNICAL ASSISTANCE**  
1-800-TEC-TRUE (1-800-832-8783)

**ROUGH-IN**

FITTING NO.

**E23JKABCP**

SUBMITTED MODEL NO.

BY: SID

DATE: 03-24-14

CHK: *[Signature]*

REV:

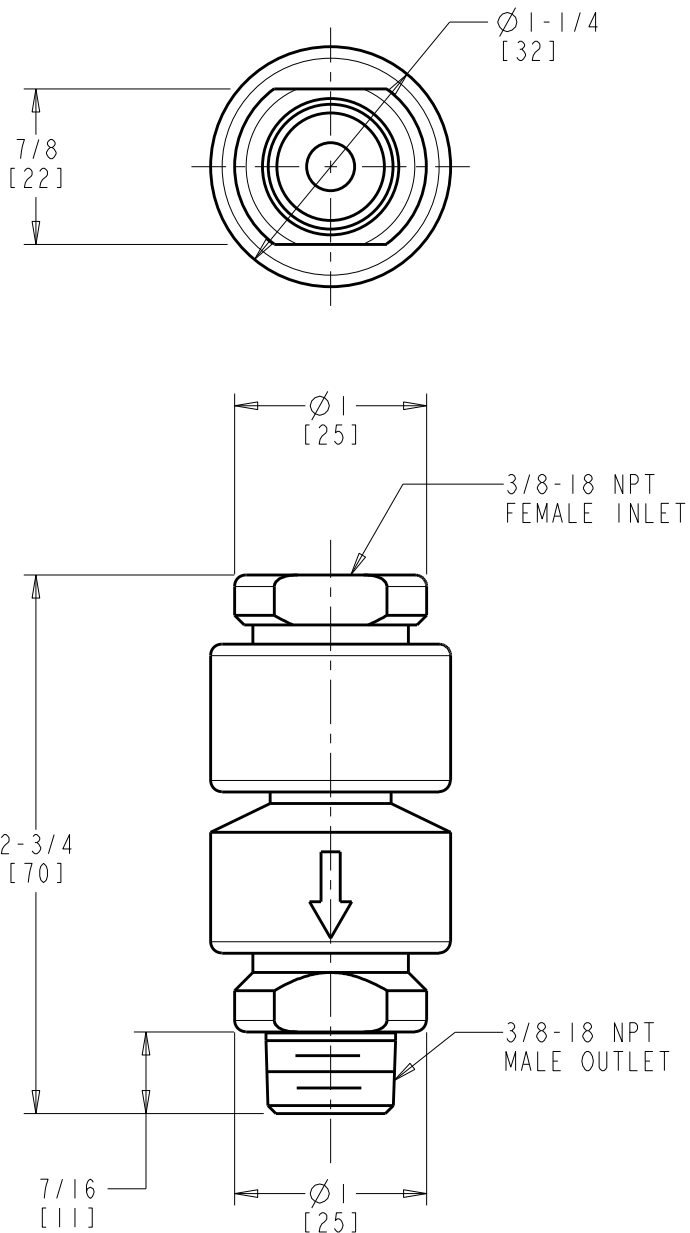
SUBMITTED AS SHOWN

SUBMITTED AS NOTED

SEE ATTACHED FOR  
SUBMITTED MODIFICATION

JOB NAME

ITEM NO.



DIMENSIONS ARE IN INCHES AND [MILLIMETERS].

**TECHNICAL DATA**

- IN-LINE BACKFLOW PREVENTER
- DUAL CHECK VACUUM BREAKER
- 150 PSI (10.34 bars) MAXIMUM WORKING PRESSURE.
- 33° F-180° F (0.5° C-82° C) TEMPERATURE RANGE.
- FINISH: CHROME PLATE

- ANSI/ASSE 1012 COMPLIANT
- CSA B64.8 COMPLIANT
- CERTIFIED TO NSF/ANSI 61, SECTION 9
- MEETS THE LEAD CONTENT REQUIREMENTS OF: CALIFORNIA, VERMONT AND NSF/ANSI 372

ROUGHING IN DIMENSIONS MAY VARY AND ARE SUBJECT TO CHANGE. NO RESPONSIBILITY IS ASSUMED FOR USE OF SUPERCEDED OR VOIDED DATA.