



2100 SOUTH CLEARWATER DRIVE
DES PLAINES, ILLINOIS 60018-5999

FITTING NO.

E2-2JK

SUBMITTED MODEL NO.

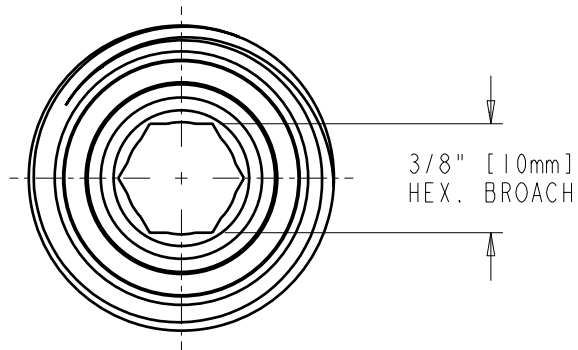
JOB NAME

ITEM NO.

SUBMITTED AS SHOWN

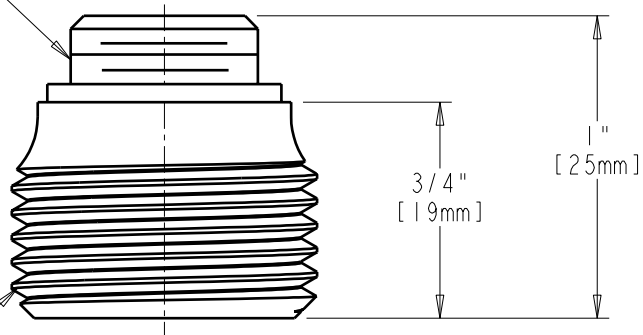
SUBMITTED AS NOTED

SEE ATTACHED FOR
SUBMITTED MODIFICATION



3/8"-18 NPSM MALE THREAD

3/4" A.N. HOSE THREAD



ROUGHING IN DIMENSIONS MAY VARY AND ARE SUBJECT TO CHANGE. NO RESPONSIBILITY IS ASSUMED FOR USE OF SUPERCEDED OR VOIDED DATA.

TECHNICAL DATA

- 3/4" HOSE THREAD OUTLET WITH ADAPTER
- FINISH: AS SPECIFIED

DATE: 08-23-07

BY: SID

CHK'D:

APP'D: *[Signature]*

REV:

E2-2JK