

**CHICAGO FAUCETS**  
 a Geberit company

2100 South Clearwater Drive  
 Des Plaines, IL 60018  
 Phone: 847-803-5000  
 Fax: 847-803-5454  
 www.chicagofaucets.com

**FOR TECHNICAL ASSISTANCE**  
 1-800-TEC-TRUE (1-800-832-8783)

**ROUGH-IN**

FITTING NO.

9800-001CP

SUBMITTED MODEL NO.

BY: SID

DATE: 01-08-15

CHK: *SR*

REV:

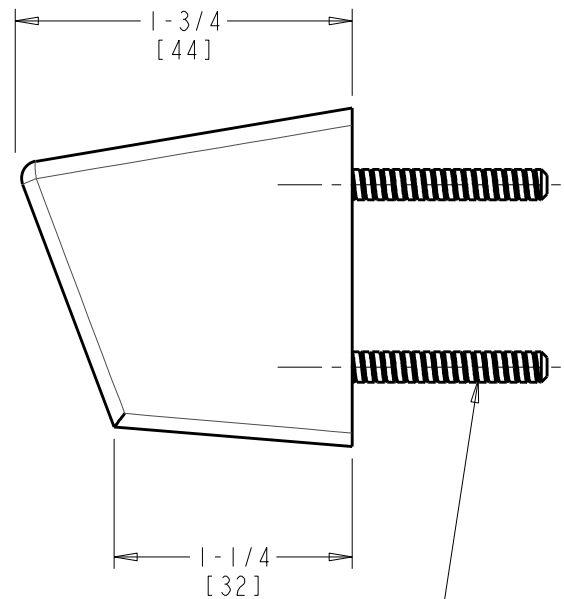
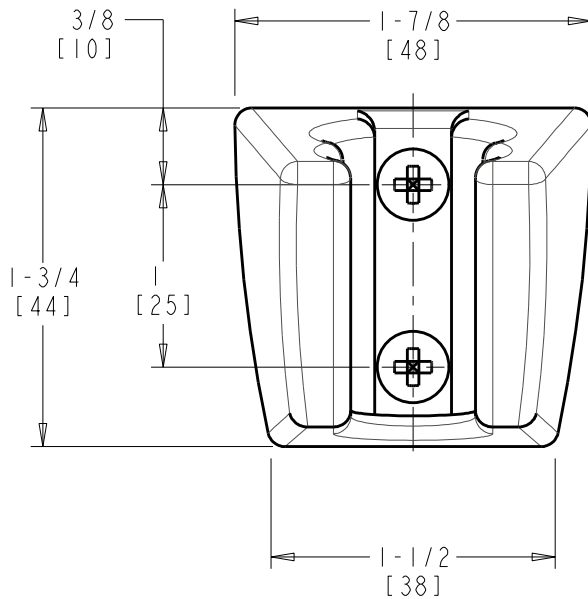
SUBMITTED AS SHOWN

SUBMITTED AS NOTED

SEE ATTACHED FOR  
 SUBMITTED MODIFICATION

JOB NAME

ITEM NO.



(2) #8 TAPPING  
 IRON SCREWS  
 1 [25] LONG  
 (ANCHORS INCLUDED)

DIMENSIONS ARE IN INCHES AND [MILLIMETERS].

TECHNICAL DATA

- SEE SPECIFICATION SHEET

ROUGHING IN DIMENSIONS MAY VARY AND ARE SUBJECT TO CHANGE. NO RESPONSIBILITY IS ASSUMED FOR USE OF SUPERCEDED OR VOIDED DATA.