



2100 South Clearwater Drive
Des Plaines, IL 60018
Phone: 847-803-5000
Fax: 847-803-5454
www.chicagofaucets.com

FOR TECHNICAL ASSISTANCE
1-800-TEC-TRUE (1-800-832-8783)

ROUGH-IN

BY: JAR DATE: 11-30-21
CHK: *jar* REV:

FITTING NO.

924-SLEAABCP

SUBMITTED MODEL NO.

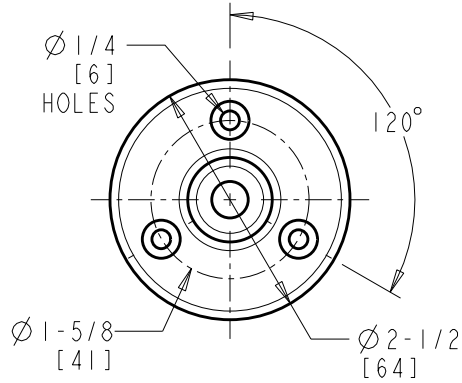
SUBMITTED AS SHOWN

SUBMITTED AS NOTED

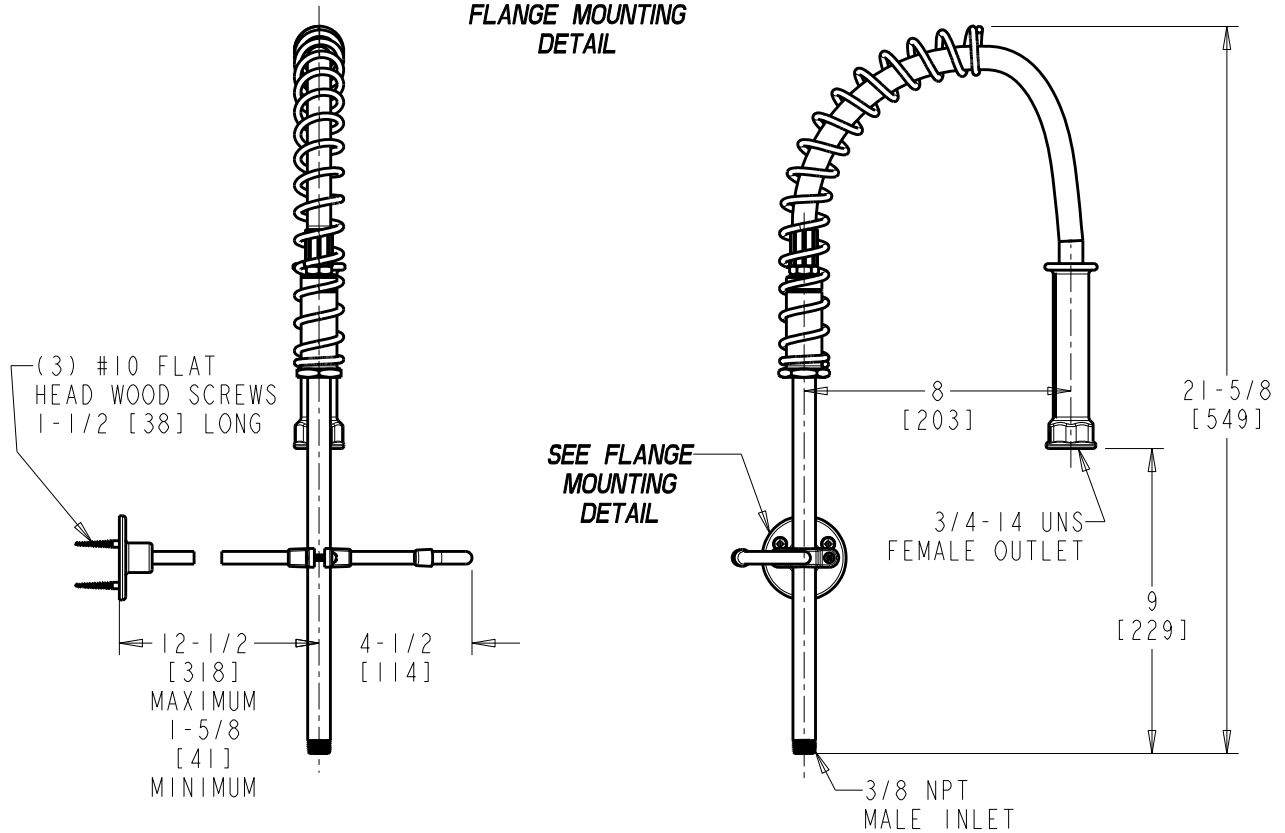
SEE ATTACHED FOR
SUBMITTED MODIFICATION

JOB NAME

ITEM NO.



**FLANGE MOUNTING
DETAIL**



DIMENSIONS ARE IN INCHES AND [MILLIMETERS].

TECHNICAL DATA

- MINI PRE-RINSE RISER ASSEMBLY
- 83-23ABNF HOSE AND HANDLE ASSEMBLY
- PIPE STRAP AND HOOK ASSEMBLY
- FINISH: CHROME PLATE

- ASME A112.18.1/CSA B125.1 COMPLIANT
- MEETS THE LEAD CONTENT REQUIREMENTS OF:
CALIFORNIA, VERMONT AND NSF/ANSI 372



ADA COMPLIANT

ROUGHING IN DIMENSIONS MAY VARY AND ARE SUBJECT TO CHANGE. NO RESPONSIBILITY IS ASSUMED FOR USE OF SUPERCEDED OR VOIDED DATA.