

ROUGHING IN DIMENSIONS MAY VARY AND ARE SUBJECT TO CHANGE. NO RESPONSIBILITY IS ASSUMED FOR USE OF SUPERCEDED OR VOIDED DATA.



2100 South Clearwater Drive  
Des Plaines, IL 60018  
Phone: 847-803-5000  
Fax: 847-803-5454  
www.chicagofaucets.com

**FOR TECHNICAL ASSISTANCE**  
1-800-TEC-TRUE (1-800-832-8783)

**ROUGH-IN**

BY: JAR      DATE: 01-07-13  
CHK: *JAR*      REV:

FITTING NO.

919-158JKABNF

SUBMITTED MODEL NO.

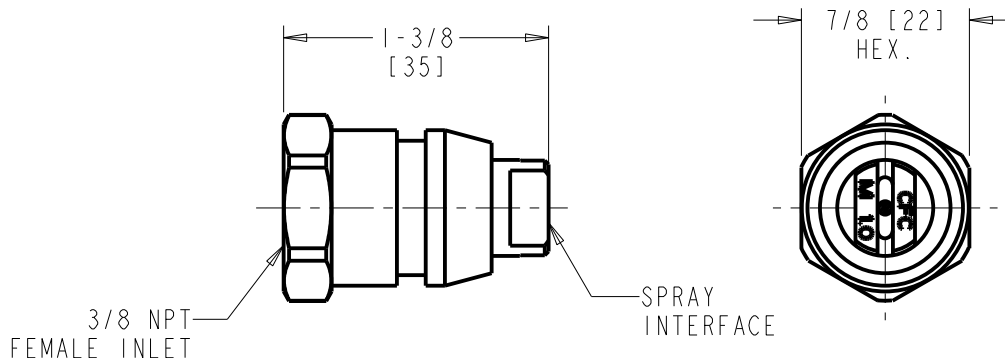
SUBMITTED AS SHOWN

SUBMITTED AS NOTED

SEE ATTACHED FOR  
SUBMITTED MODIFICATION

JOB NAME

ITEM NO.



NOZZLE SPRAY PERFORMANCE W/WATER USING 3/8" PIPE		
SPRAY CRITERIA	AT 40 PSI	AT 60 PSI
FLOW RATE, GPM	0.8 +/- 2%	1.0 +/- 2%
SPRAY ANGLE	10° +/- 5°	10° +/- 5°
COVERAGE LENGTH AT 12" HEIGHT	4 +/- 1	4.5 +/- 1
COVERAGE AREA, SQ. IN	5.8 REF.	6.4 REF.
IMPACT (MEAN PRESSURE), PSI AT 12" HEIGHT	.42 +/- .03	.46 +/- .03

DIMENSIONS ARE IN INCHES AND [MILLIMETERS].

**TECHNICAL DATA**

- PRE-RINSE NOZZLE
- FINISH: STAINLESS STEEL