

CHICAGO FAUCETS
 a Geberit company

2100 South Clearwater Drive
 Des Plaines, IL 60018
 Phone: 847-803-5000
 Fax: 847-803-5454
 www.chicagofaucets.com

ROUGH-IN

FITTING NO.

892-ABRCF

SUBMITTED MODEL NO.

BY: JAR

DATE: 06-11-14

CHK: *[Signature]*

REV:

FOR TECHNICAL ASSISTANCE
 1-800-TEC-TRUE (1-800-832-8783)

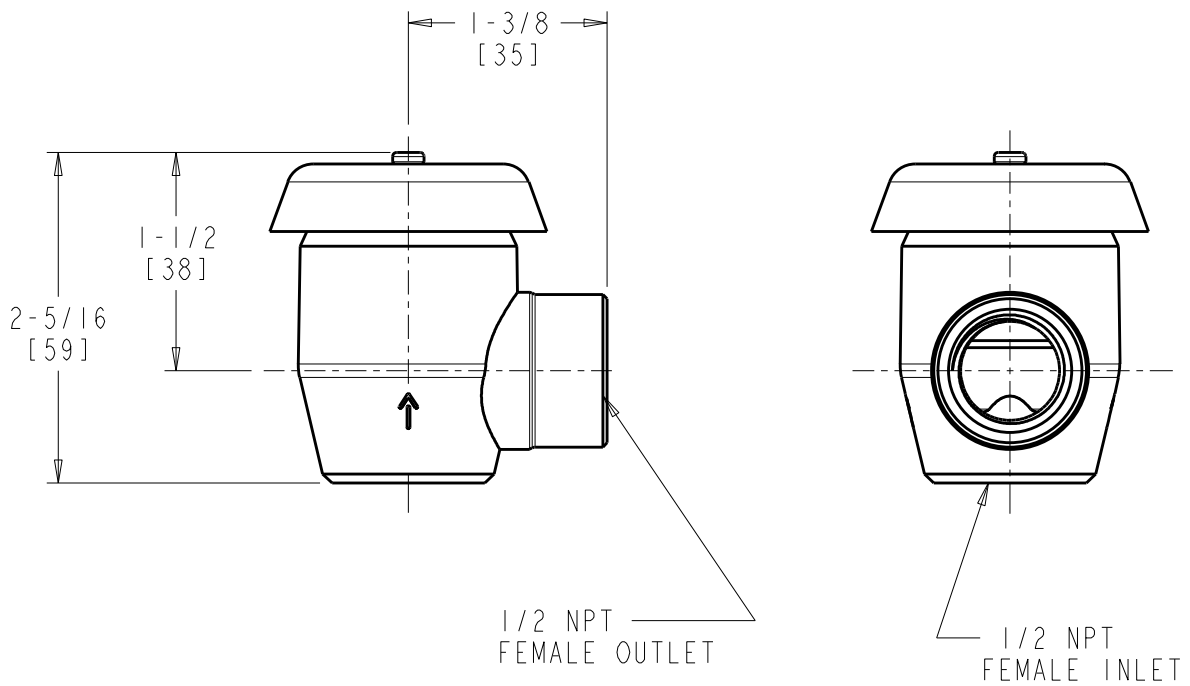
SUBMITTED AS SHOWN

SUBMITTED AS NOTED

SEE ATTACHED FOR
 SUBMITTED MODIFICATION

JOB NAME

ITEM NO.



DIMENSIONS ARE IN INCHES AND [MILLIMETERS].

TECHNICAL DATA

- ATMOSPHERIC VACUUM BREAKER
- VANDAL RESISTANT SCREW ON COVER
- FINISH: ROUGH CHROME

- NSF/ANSI 61 COMPLIANT
- ASSE 1001 COMPLIANT
- CSA B64.1.1 COMPLIANT
- BS&A-NYC-726-54SM

ROUGHING IN DIMENSIONS MAY VARY AND ARE SUBJECT TO CHANGE. NO RESPONSIBILITY IS ASSUMED FOR USE OF SUPERCEDED OR VOIDED DATA.