
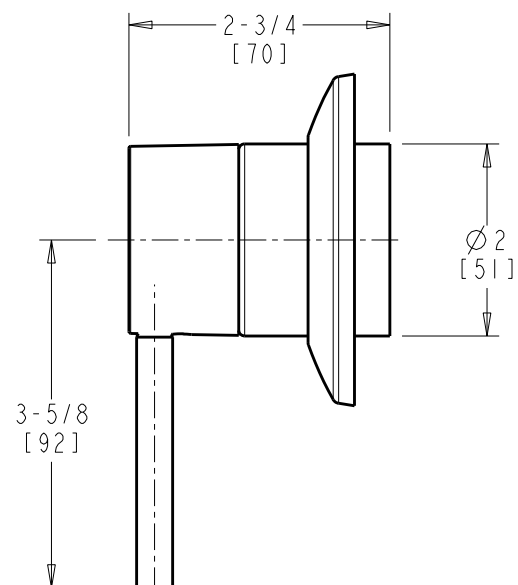
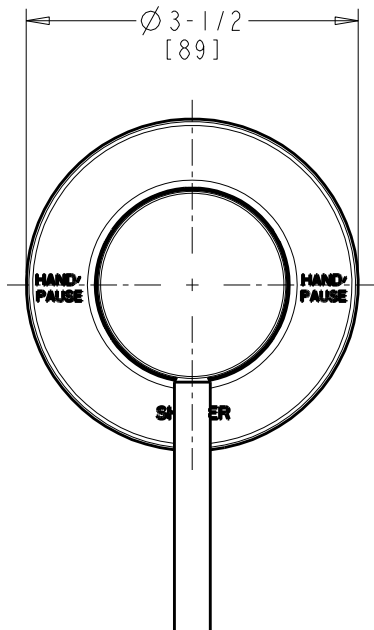


ROUGHING IN DIMENSIONS MAY VARY AND ARE SUBJECT TO CHANGE. NO RESPONSIBILITY IS ASSUMED FOR USE OF SUPERCEDED OR VOIDED DATA.

 <p>CHICAGO FAUCETS a Geberit company</p> <p>FOR TECHNICAL ASSISTANCE 1-800-TEC-TRUE (1-800-832-8783)</p>	2100 South Clearwater Drive Des Plaines, IL 60018 Phone: 847-803-5000 Fax: 847-803-5454 www.chicagofaucets.com	ROUGH-IN		FITTING NO.
				763-TKCP
		BY: JAR	DATE: 06-21-21	SUBMITTED MODEL NO.
		CHK: <i>Jas</i>	REV:	
SUBMITTED AS SHOWN		SUBMITTED AS NOTED		SEE ATTACHED FOR SUBMITTED MODIFICATION
JOB NAME			ITEM NO.	



DIMENSIONS ARE IN INCHES AND [MILLIMETERS].

TECHNICAL DATA

- TRIM KIT FOR SH SERIES SHOWER VALVE
- INCLUDES INDEXED SLIP FLANGE, HANDLE, SET SCREW, SLEEVE AND ALLEN KEY
- FINISH: CHROME PLATE