

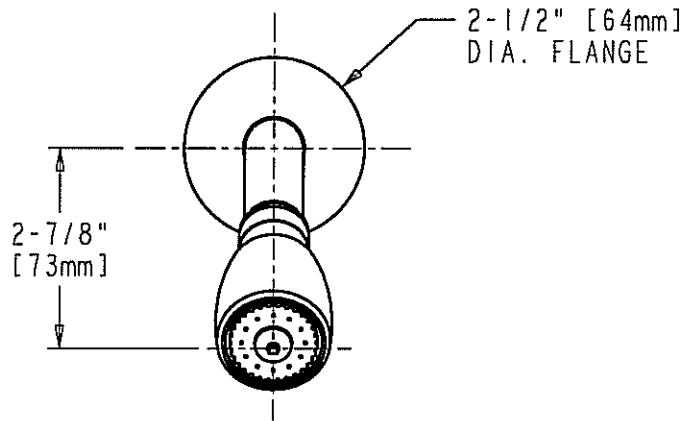
JOB NAME

ITEM NO.

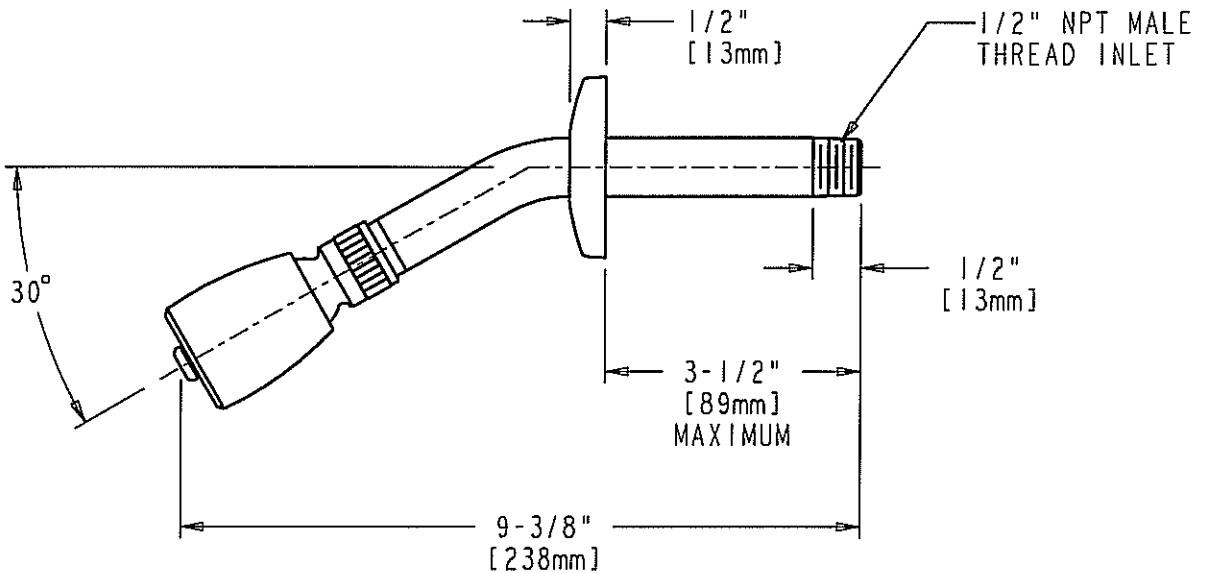
SUBMITTED AS SHOWN

SUBMITTED AS NOTED

SEE ATTACHED FOR
 SUBMITTED MODIFICATION



FRONT VIEW



SIDE VIEW

DIMENSIONS IN INCHES AND [MILLIMETERS].

TECHNICAL DATA

- PRESSURE COMPENSATING FLOW CONTROL
- SHOWER HEAD WITH BALL JOINT
- SHOWER ARM AND WALL FLANGE
- FINISH: CHROME PLATE

- 2.5 GPM [9.5 L/min.] FLOW RATE
- ASME A112.18.1M COMPLIANT
- CSA B125 COMPLIANT

DATE: 05-10-04

BY: SID

CHK'D:

APP'D: *AT*

REV: A

620-A

ROUGHING IN DIMENSIONS MAY VARY AND ARE SUBJECT TO CHANGE. NO RESPONSIBILITY IS ASSUMED FOR USE OF SUPERCEDED OR VOIDED DATA.