

ROUGHING IN DIMENSIONS MAY VARY AND ARE SUBJECT TO CHANGE. NO RESPONSIBILITY IS ASSUMED FOR USE OF SUPERCEDED OR VOIDED DATA.



2100 South Clearwater Drive
Des Plaines, IL 60018
Phone: 847-803-5000
Fax: 847-803-5454
www.chicagofaucets.com

ROUGH-IN

FITTING NO.

50-042KJKABNF

SUBMITTED MODEL NO.

FOR TECHNICAL ASSISTANCE
1-800-TEC-TRUE (1-800-832-8783)

BY: SID DATE: 10-12-10
CHK: *[Signature]* REV:

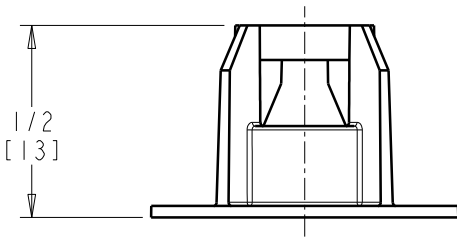
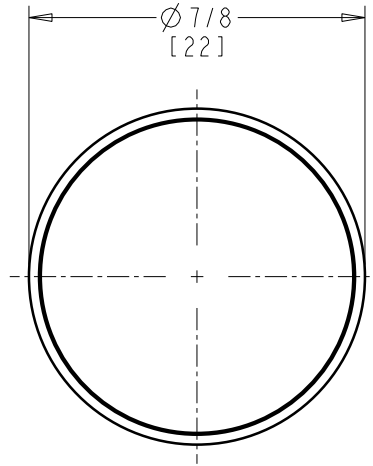
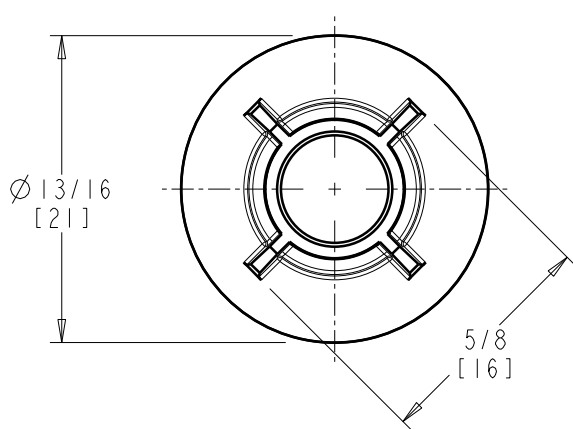
SUBMITTED AS SHOWN

SUBMITTED AS NOTED

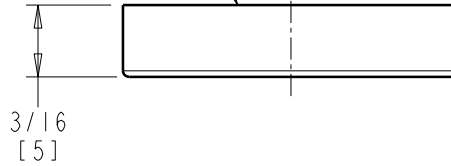
SEE ATTACHED FOR
SUBMITTED MODIFICATION

JOB NAME

ITEM NO.



13/16-24 NS-2A
FEMALE THREAD



DIMENSIONS ARE IN INCHES AND [MILLIMETERS].

TECHNICAL DATA

- FLOW CONTROL FOR GN SPOUTS
- 1.5 GPM [5.7 L/min.] MAXIMUM FLOW RATE
- INSERT COLOR: GREEN
- SPOUT END RING
- LOCTITE PILLOW (242)
- FINISH: NO FINISH

- ASME A112.18.1/CSA B125.1 COMPLIANT
- NSF/ANSI 61 COMPLIANT