



2100 South Clearwater Drive
Des Plaines, IL 60018
Phone: 847-803-5000
Fax: 847-803-5454
www.chicagofaucets.com

ROUGH-IN

FITTING NO.

333-008KJKCP

SUBMITTED MODEL NO.

BY: SID

DATE: 07-30-19

CHK: *S/D*

REV:

FOR TECHNICAL ASSISTANCE
1-800-TEC-TRUE (1-800-832-8783)

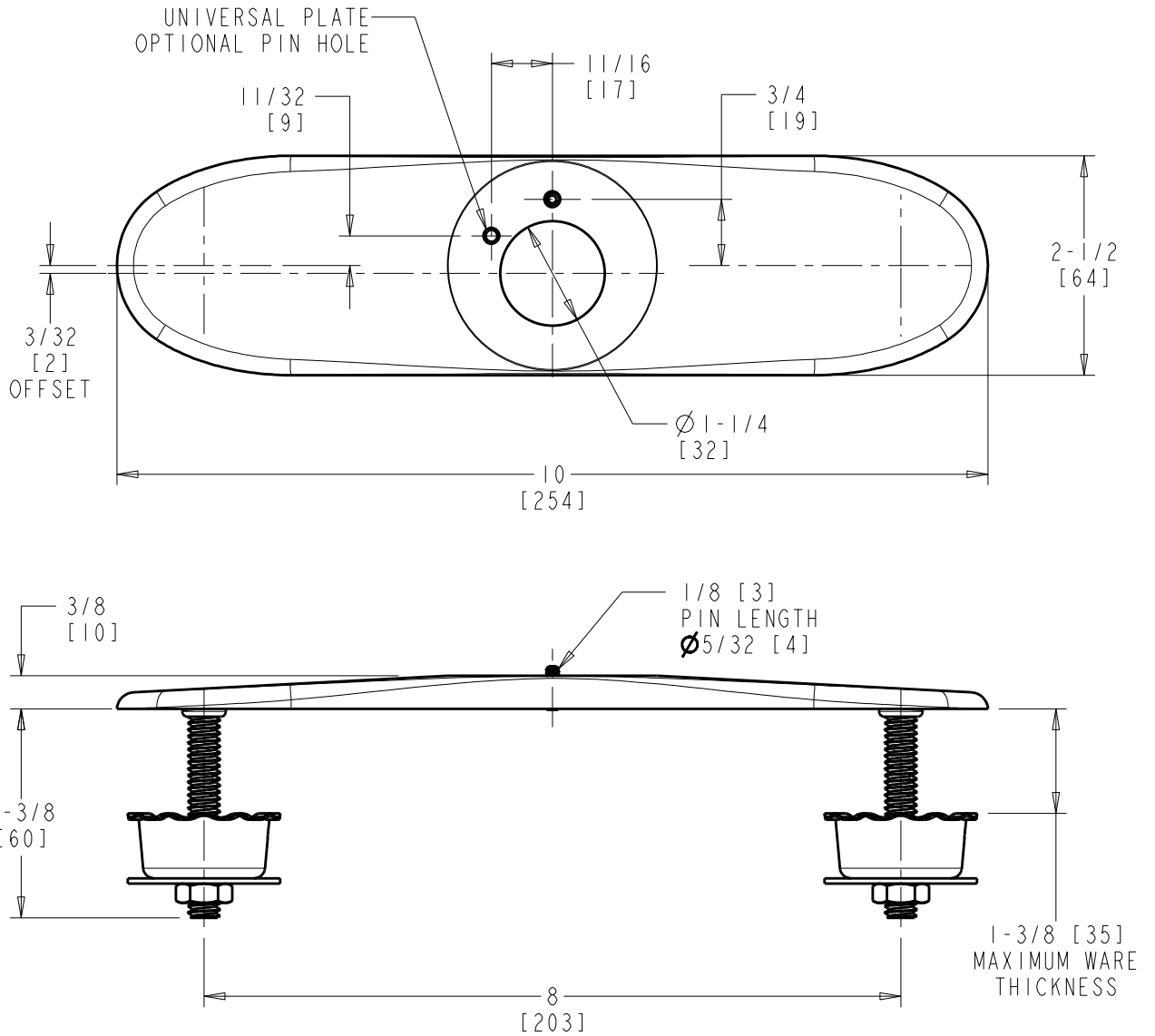
SUBMITTED AS SHOWN

SUBMITTED AS NOTED

SEE ATTACHED FOR
SUBMITTED MODIFICATION

JOB NAME

ITEM NO.



DIMENSIONS ARE IN INCHES AND [MILLIMETERS].

TECHNICAL DATA

- 8" COVER PLATE WITH MOUNTING HARDWARE
- USED ON 333, 335, 700 AND 730 SERIES FAUCETS
- FINISH: CHROME PLATE

ROUGHING IN DIMENSIONS MAY VARY AND ARE SUBJECT TO CHANGE. NO RESPONSIBILITY IS ASSUMED FOR USE OF SUPERCEDED OR VOIDED DATA.