

CHICAGO FAUCETS
a Geberit company

2100 South Clearwater Drive
Des Plaines, IL 60018
Phone: 847-803-5000
Fax: 847-803-5454
www.chicagofaucets.com

ROUGH-IN

FITTING NO.

SEE SCHEDULE

FOR TECHNICAL ASSISTANCE
1-800-TEC-TRUE (1-800-832-8783)

BY: SID

DATE: 06-09-22

SUBMITTED MODEL NO.

CHK: *gac*

REV:

SUBMITTED AS SHOWN

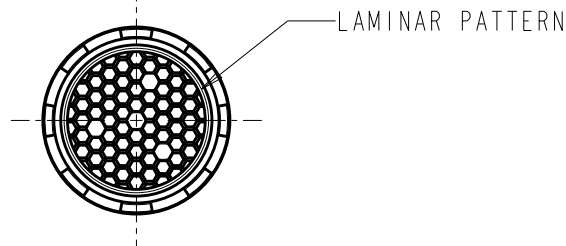
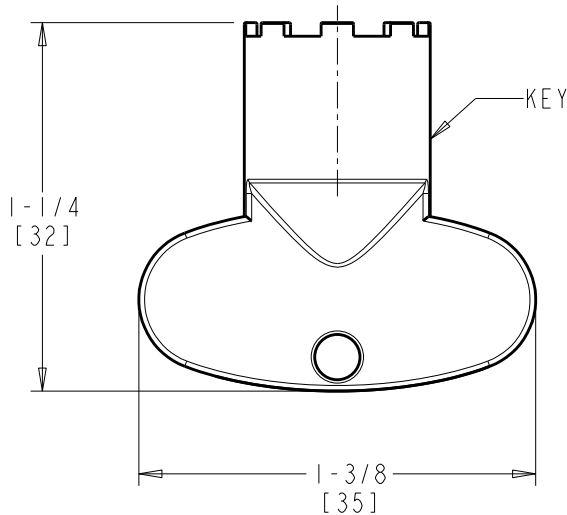
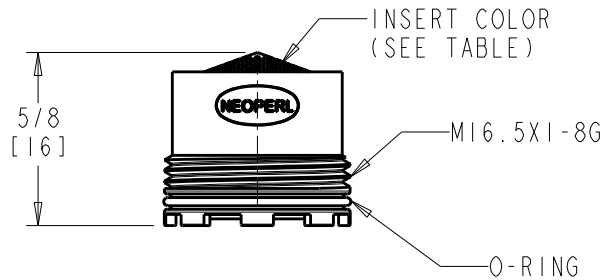
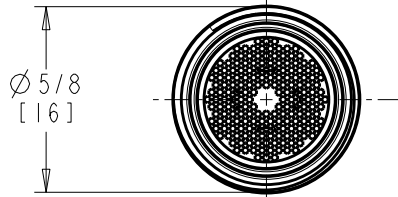
SUBMITTED AS NOTED

SEE ATTACHED FOR
SUBMITTED MODIFICATION

JOB NAME

ITEM NO.

FITTING NO.	GPM	INSERT COLOR
244.168.00.1	0.5 GPM	LIME GREEN/LIGHT GRAY
244.169.00.1	1.5 GPM	GREEN/LIGHT GRAY
244.170.00.0	1.0 GPM	BLUE/LIGHT GRAY



DIMENSIONS ARE IN INCHES AND [MILLIMETERS].

TECHNICAL DATA

- SEE SPECIFICATION SHEET

ROUGHING IN DIMENSIONS MAY VARY AND ARE SUBJECT TO CHANGE. NO RESPONSIBILITY IS ASSUMED FOR USE OF SUPERCEDED OR VOIDED DATA.