

CHICAGO FAUCETS.

2100 South Clearwater Drive
Des Plaines, IL 60018
Phone: 847-803-5000
Fax: 847-803-5454
www.chicagofaucets.com

Geberit Group

FOR TECHNICAL ASSISTANCE
1-800-TEC-TRUE (1-800-832-8783)

ROUGH-IN

FITTING NO.

1022-005JKABRCF

BY: JAR

DATE: 05-31-23

SUBMITTED MODEL NO.

CHK: *JAR*

REV:

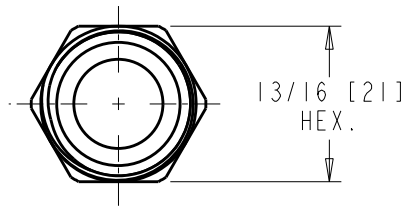
SUBMITTED AS SHOWN

SUBMITTED AS NOTED

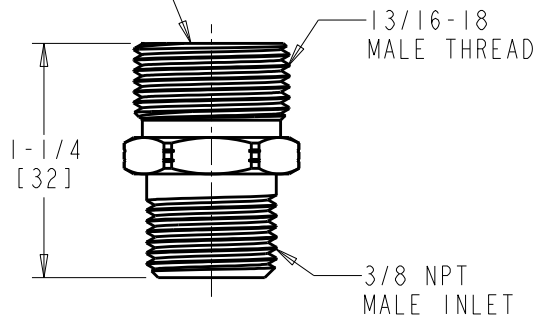
SEE ATTACHED FOR
SUBMITTED MODIFICATION

JOB NAME

ITEM NO.



5/8 O.D. FEMALE
COMPRESSION
OUTLET



DIMENSIONS ARE IN INCHES AND [MILLIMETERS].

TECHNICAL DATA

- COMPRESSION FITTING BODY
- FINISH: ROUGH CHROME PLATE

ROUGHING IN DIMENSIONS MAY VARY AND ARE SUBJECT TO CHANGE. NO RESPONSIBILITY IS ASSUMED FOR USE OF SUPERCEDED OR VOIDED DATA.