



2100 SOUTH CLEARWATER DRIVE
DES PLAINES, ILLINOIS 60018-5999

Last As Long As The Building

FITTING NO.

GN8AFC

SUBMITTED MODEL NO.

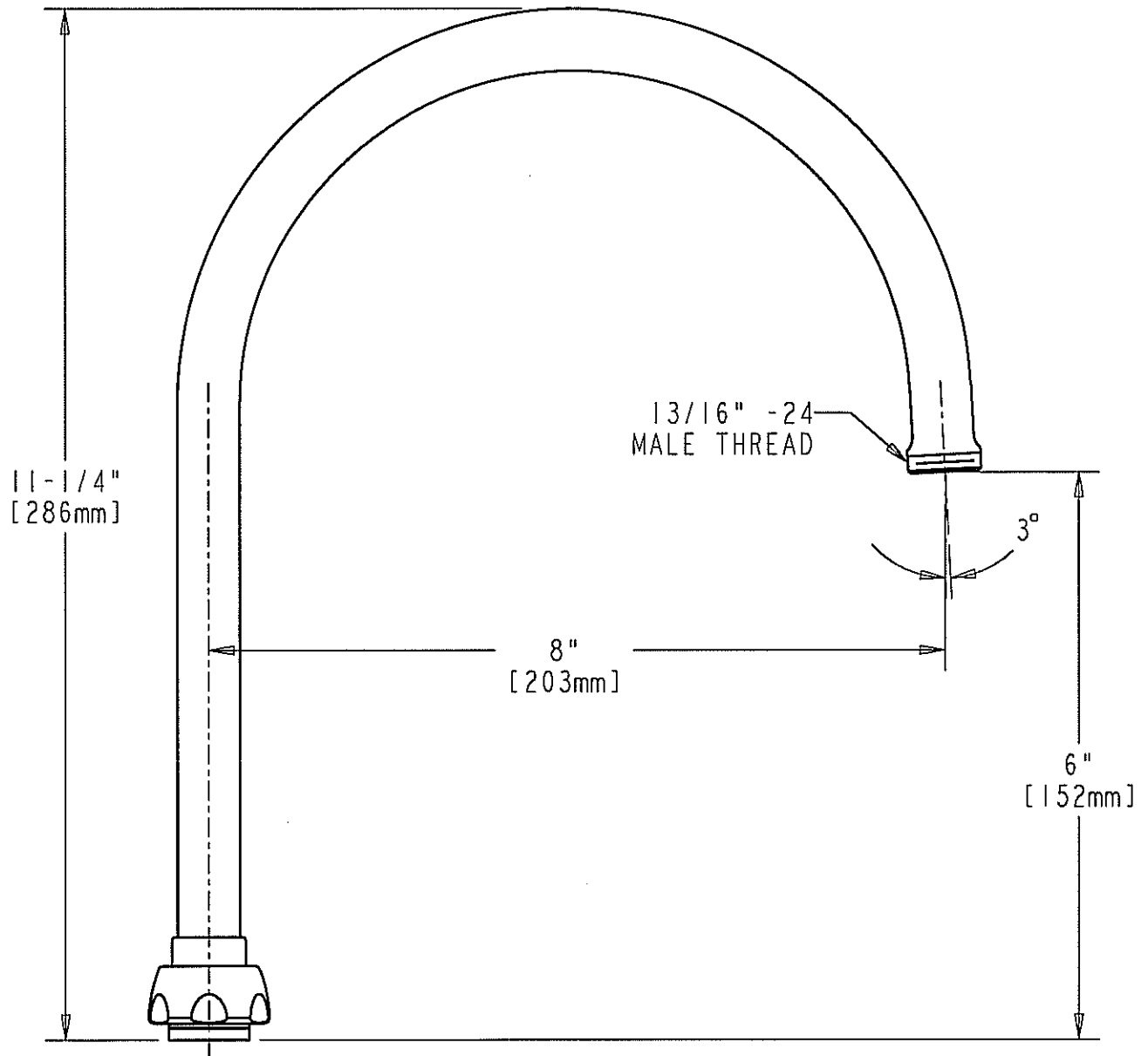
JOB NAME

ITEM NO.

SUBMITTED AS SHOWN

SUBMITTED AS NOTED

SEE ATTACHED FOR
SUBMITTED MODIFICATION



DIMENSIONS IN INCHES AND [MILLIMETERS].

TECHNICAL DATA

- RIGID/SWING GOOSENECK SPOUT
- FLOW CONTROL IN SPOUT
- 1.6 GPM [6.0 L/min] @ 80 PSI
- POLISHED CHROME FINISH OR AS SPECIFIED

DATE: 11-14-02

BY: SID

CHK'D: *AT*

APP'D:

REV: A

GN8AFC

ROUGHING IN DIMENSIONS MAY VARY AND ARE SUBJECT TO CHANGE. NO RESPONSIBILITY IS ASSUMED FOR USE OF SUPERCEDED OR VOIDED DATA.