

# Manual Sink Faucets

## 857-E12-665PSHVPAAABCP

### Product Type

Deck-mounted metering faucet, 4" centers, single-supply

### Features & Specifications

- 4" fixed centers
- Vandal Proof Pressure compensating Softflo aerator
- Vandal Proof 1-3/4" MVP metering push handle
- MVP Actuator Assembly
- MVP metering cartridge
- ECAST® design provides durable cast brass construction with total lead content equal to or less than 0.25% by weighted average




### Performance Specification

- Rated Operating Pressure: 20-125 PSI
- Rated Operating Temperature: 40-140°F

### Warranty

- 5-Year Limited Cartridge Warranty
- Lifetime Limited Faucet Warranty
- 1-Year Limited Finish Warranty

### Codes & Standards

-  ADA ANSI/ICC A117.1
-  ASME A112.18.1/CSA B125.1
-  NSF/ANSI 372 Low Lead Content

Job Name \_\_\_\_\_

Item Number \_\_\_\_\_

Section/Tag \_\_\_\_\_

Model Specified \_\_\_\_\_

Architect \_\_\_\_\_

Engineer \_\_\_\_\_

Contractor \_\_\_\_\_

Submitted as Shown       Submitted with Variations

Date \_\_\_\_\_

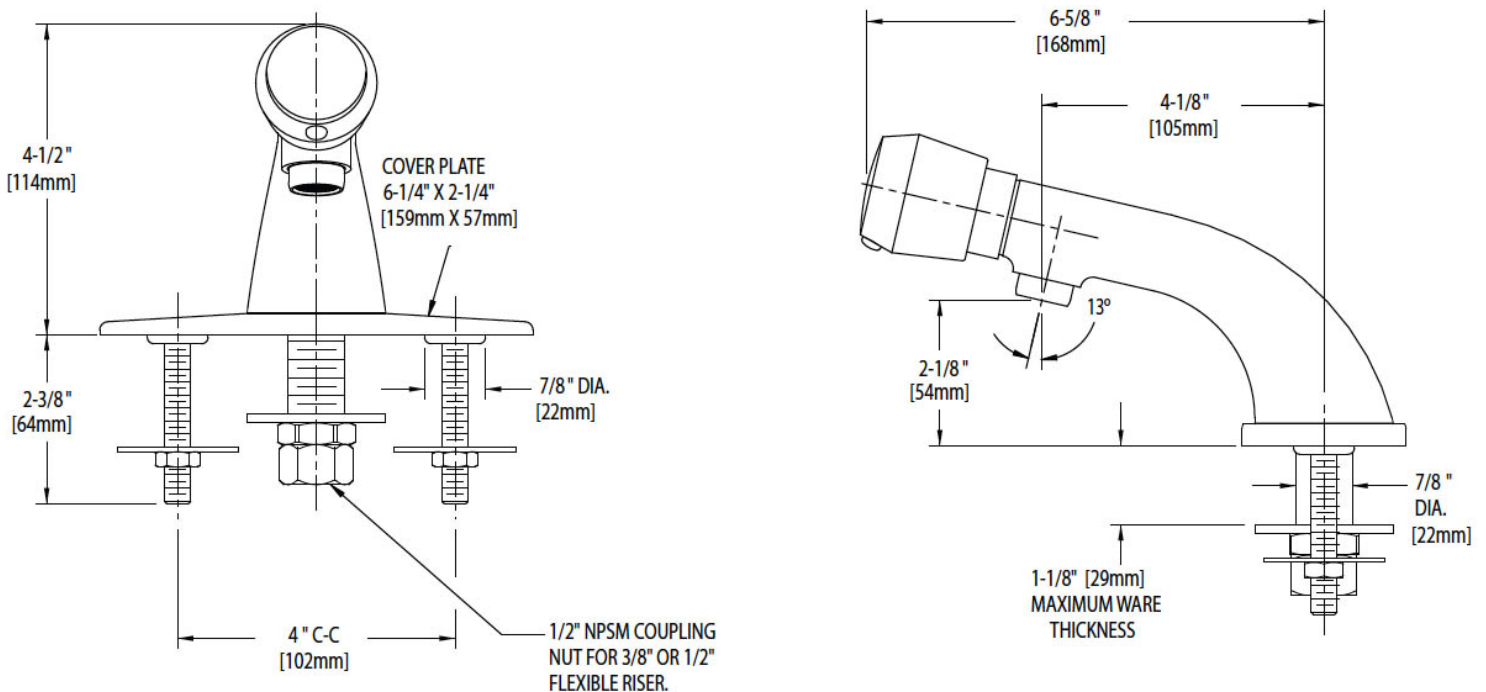


### ECAST

ECAST products are intended for installation where state laws and local codes mandate lead content levels or in any location where lead content is a concern.

**Architect/Engineer Specification**

Chicago Faucets No. 857-E12-665PSHVPAABCP, Sink Faucet, metering, single-supply, deck-mounted with 4" fixed centers, chrome plated. Integral, cast brass spout, 4-1/8" center-to-center. 2.2 GPM (8.3 L/min) pressure compensating vandal-proof Softflo aerator. 1-3/4" metal, vandal-proof, push handle with blue or red index button. MVP self-closing, auto-timed metering cartridge, adjustable run time from 2 to 25 seconds, opens with push, 0.20 max gallon/cycle. 1/2" NPSM supply inlets and coupling nut for 3/8" or 1/2" flexible riser. Deck cover plate, 4" center-to-center. ECAST® construction with less than 0.25% lead content by weighted average. This product meets ADA ANSI/ICC A117.1 requirements and is tested and certified to industry standards: ASME A112.18.1/CSA B125.1, California Health and Safety Code 116875 (AB1953-2006), Vermont Bill S.152, and NSF/ANSI 372 Low Lead Content.



**Operation and Maintenance**

Installation should be in accordance with local plumbing codes. Flush all pipes thoroughly before installation. After installation, remove spout outlet or flow control and flush faucet thoroughly to clear any debris. Care should be taken when cleaning the product. Do not use abrasive cleaners, chemicals or solvents as they can result in surface damage. Use mild soap and warm water for cleaning and protecting the life of Chicago Faucet products. For specific operation and maintenance refer to the installation instructions and repair parts documents that are located at [www.chicagofaucets.com](http://www.chicagofaucets.com).

Chicago Faucets, member of the Geberit Group, is the leading brand of commercial faucets and fittings in the United States, offering a complete range of products for schools, laboratories, hospitals, office buildings, food service, airports and sport facilities. Call 1.800.TECTRUE or 1.847.803.5000 Option 1 for installation or other technical assistance.

