

Manual Sink Faucets 404-665CWCP

Product Type

Deck-mounted metering faucet with 4" centers

Features & Specifications

- 4" fixed centers
- Pressure compensating Softflo aerator
- Vandal Proof 1-3/4" MVP metering push handle
- MVP Actuator Assembly
- MVP metering cartridge




Performance Specification

- Rated Operating Pressure: 20-125 PSI
- Rated Operating Temperature: 40-140°F

Warranty

- 5-Year Limited Cartridge Warranty
- Lifetime Limited Faucet Warranty
- 1-Year Limited Finish Warranty

Codes & Standards

-  ADA ANSI/ICC A117.1
-  ASME A112.18.1/CSA B125.1
-  NSF/ANSI 61, Section 9

Job Name _____

Item Number _____

Section/Tag _____

Model Specified _____

Architect _____

Engineer _____

Contractor _____

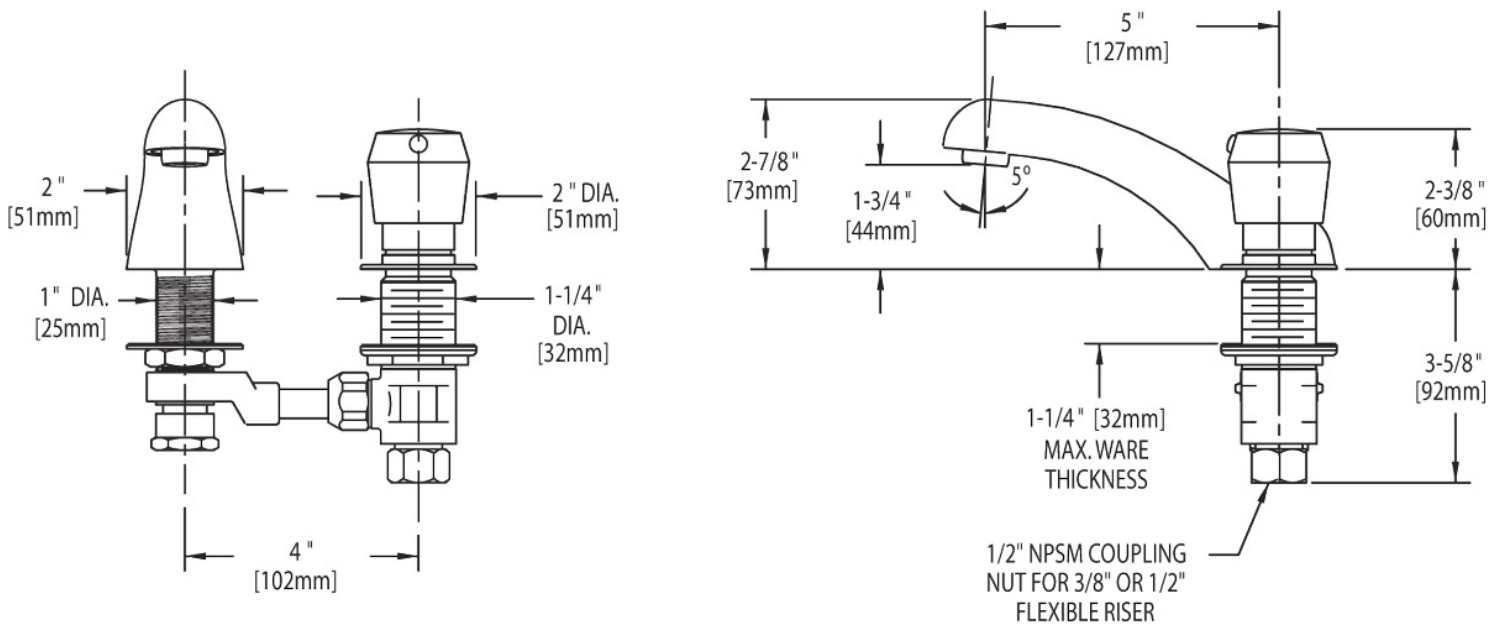
Submitted as Shown Submitted with Variations

Date _____



Architect/Engineer Specification

Chicago Faucets No. 404-665CWCP, Sink Faucet for cold water, metering, concealed deck-mount with 4" fixed centers, chrome plated. 2.2 GPM (8.3 L/min) pressure compensating Softflo aerator. 1-3/4" metal, vandal-proof, push handle with blue index button. MVP self-closing, auto-timed metering cartridge, adjustable run time from 2 to 25 seconds, opens with push. 0.25 gallon/cycle. This product meets ADA ANSI/ICC A117.1 requirements and is tested and certified to industry standards: ASME A112.18.1/CSA B125.1, and Certified to NSF/ANSI 61, Section 9.



Operation and Maintenance

Installation should be in accordance with local plumbing codes. Flush all pipes thoroughly before installation. After installation, remove spout outlet or flow control and flush faucet thoroughly to clear any debris. Care should be taken when cleaning the product. Do not use abrasive cleaners, chemicals or solvents as they can result in surface damage. Use mild soap and warm water for cleaning and protecting the life of Chicago Faucet products. For specific operation and maintenance refer to the installation instructions and repair parts documents that are located at www.chicagofaucets.com.

Chicago Faucets, member of the Geberit Group, is the leading brand of commercial faucets and fittings in the United States, offering a complete range of products for schools, laboratories, hospitals, office buildings, food service, airports and sport facilities. Call 1.800.TECTRUE or 1.847.803.5000 Option 1 for installation or other technical assistance.

