

Accessories & Parts

EQ-D11B-KJKABCP

Product Type

EQ Curved electronic integral spout assembly

Features & Specifications

- Die-cast zinc spout body, includes spout, waterway, electronics module with cable and connector, outlet, and mounting hardware
- 1.0 GPM (3.8 L/min) aerated outlet
- ECAST® design provides durable cast brass construction with total lead content equal to or less than 0.25% by weighted average
- CFNow! Item Ships in 3 Days

Warranty

- 3-Year Limited Electronics and Solenoid Warranty
- 5-Year Limited Faucet Warranty
- 1-Year Limited Finish Warranty
- 5-Year Limited Material Warranty
- 5-Year Limited Mechanical Warranty

Codes & Standards

-  ADA ANSI/ICC A117.1

Job Name _____

Item Number _____

Section/Tag _____

Model Specified _____

Architect _____

Engineer _____

Contractor _____

Submitted as Shown Submitted with Variations

Date _____



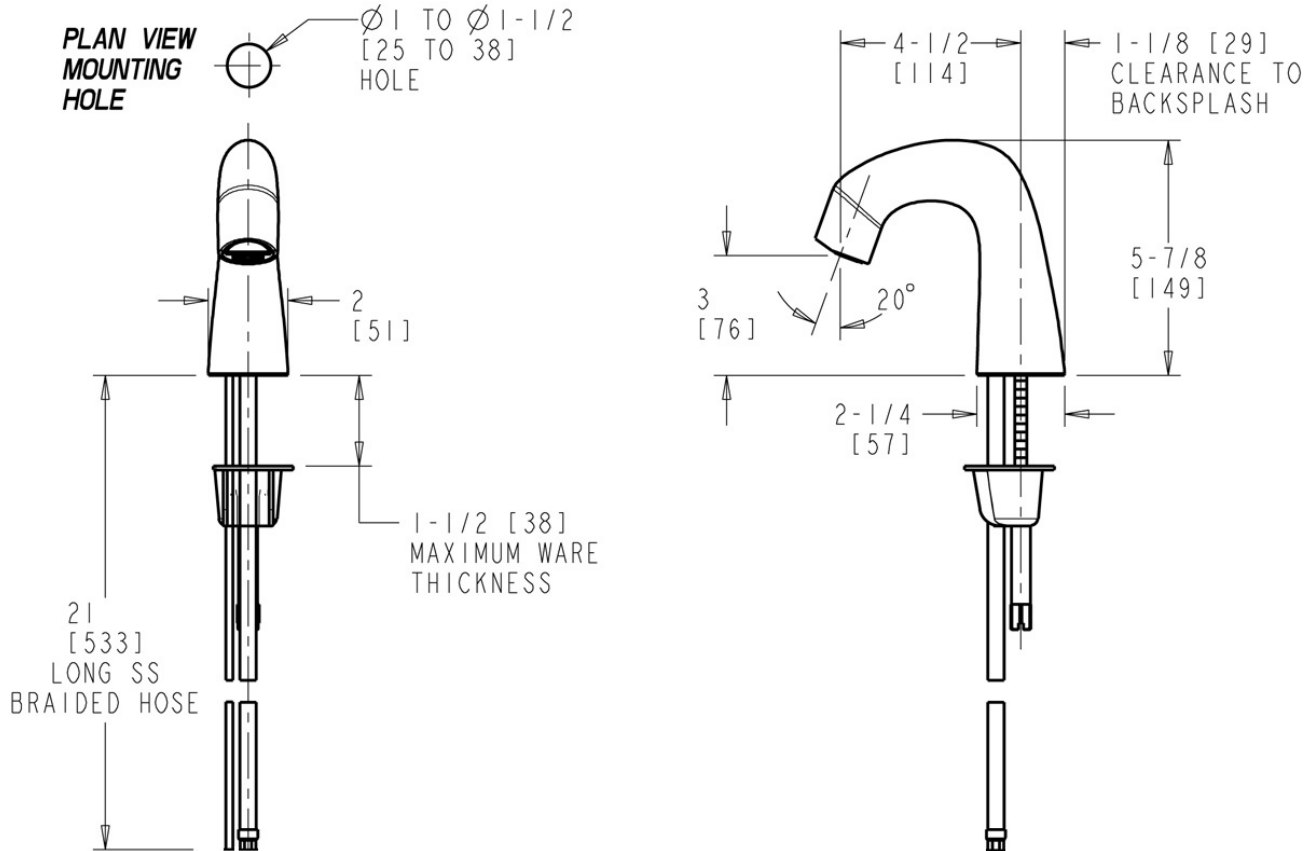
ECAST

ECAST products are intended for installation where state laws and local codes mandate lead content levels or in any location where lead content is a concern.

2100 South Clearwater Drive
Des Plaines, IL
P: 847/803-5000
F: 847/803-5454
Technical: 800/TEC-TRUE
www.chicagofaucets.com

Architect/Engineer Specification

Chicago Faucets No. EQ-D11B-KJKABCP EQ Curved Electronic Integral Spout Assembly with 1.0 GPM (3.8 L/min) aerated outlet. PVD brushed nickel plated. On-Off hands-free actuation. Maximum run time 10 seconds in high use environments. 0.33 GPC (1.3 LPC) maximum. Combine with EQ Control box assemblies (sold separately). Die-cast zinc spout body. Includes spout, waterway, electronics module with cable and connector, outlet, and mounting hardware. ECAST® construction with less than 0.25% lead content by weighted average.



Operation and Maintenance

Installation should be in accordance with local plumbing codes. Flush all pipes thoroughly before installation. After installation, remove spout outlet or flow control and flush faucet thoroughly to clear any debris. Care should be taken when cleaning the product. Do not use abrasive cleaners, chemicals or solvents as they can result in surface damage. Use mild soap and warm water for cleaning and protecting the life of Chicago Faucet products. For specific operation and maintenance refer to the installation instructions and repair parts documents that are located at www.chicagofaucets.com.

Chicago Faucets, member of the Geberit Group, is the leading brand of commercial faucets and fittings in the United States, offering a complete range of products for schools, laboratories, hospitals, office buildings, food service, airports and sport facilities. Call 1.800.TECTRUE or 1.847.803.5000 Option 1 for installation or other technical assistance.

