

Accessories & Parts

99-ASAB

Product Type

Water conserving pre-rinse spray valve

Features & Specifications

- All stainless steel operating parts
- 1.25 GPM Max. @ 60 PSI

Warranty

Codes & Standards

Job Name _____

Item Number _____

Section/Tag _____

Model Specified _____

Architect _____

Engineer _____

Contractor _____

Submitted as Shown

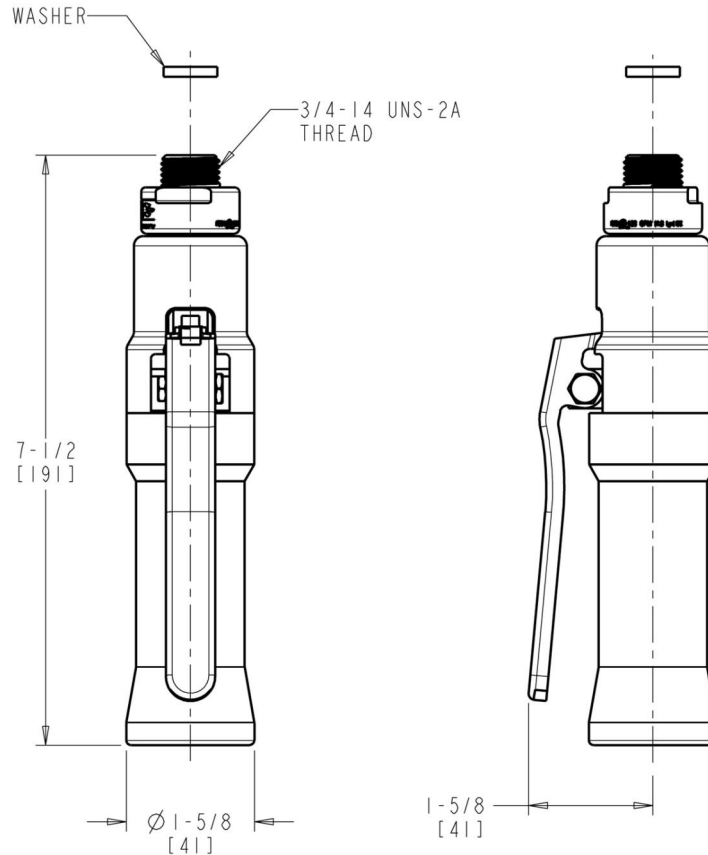
Submitted with Variations

Date _____



Architect/Engineer Specification

Chicago Faucets No. 99-ASAB, Water Conserving Pre-Rinse Spray Valve, 1.25 GPM Max. @ 60 PSI, chrome plated. All stainless steel operating parts. Infinite choice of spray patterns (from a soft hollow cone to a powerful solid jet stream). Adjustable spray pattern varies with trigger position. Self-closing cartridge. Stainless steel handle with acetal resin insulated spray cover for durability and heat resistance. Rubber-coated ergonomic actuator handle. Low-flow, high-efficiency nozzle system. 3/4" - 14 UNS male thread inlet. ECAST® construction with less than 0.25% lead content by weighted average. CALGreen Compliant.



Operation and Maintenance

Installation should be in accordance with local plumbing codes. Flush all pipes thoroughly before installation. After installation, remove spout outlet or flow control and flush faucet thoroughly to clear any debris. Care should be taken when cleaning the product. Do not use abrasive cleaners, chemicals or solvents as they can result in surface damage. Use mild soap and warm water for cleaning and protecting the life of Chicago Faucet products. For specific operation and maintenance refer to the installation instructions and repair parts documents that are located at www.chicagofaucets.com.

Chicago Faucets, member of the Geberit Group, is the leading brand of commercial faucets and fittings in the United States, offering a complete range of products for schools, laboratories, hospitals, office buildings, food service, airports and sport facilities. Call 1.800.TECTRUE or 1.847.803.5000 Option 1 for installation or other technical assistance.



2100 South Clearwater Drive
Des Plaines, IL
P: 847/803-5000
F: 847/803-5454
Technical: 800/TEC-TRUE
www.chicagofaucets.com