

Accessories & Parts

90-GNABCP

Product Type

Kettle filler valve, full-flow



Features & Specifications

- Integrated stainless steel handle clip to hold handle open
- 3/4"-14 UNS Male Thread Inlet
- Full-flow

Warranty

- 5-Year Limited Cartridge Warranty
- 1-Year Limited Finish Warranty
- 5-Year Limited Mechanical Warranty

Codes & Standards

-  ASME A112.18.1/CSA B125.1
-  NSF/ANSI 61, Section 9

Job Name _____

Item Number _____

Section/Tag _____

Model Specified _____

Architect _____

Engineer _____

Contractor _____

Submitted as Shown

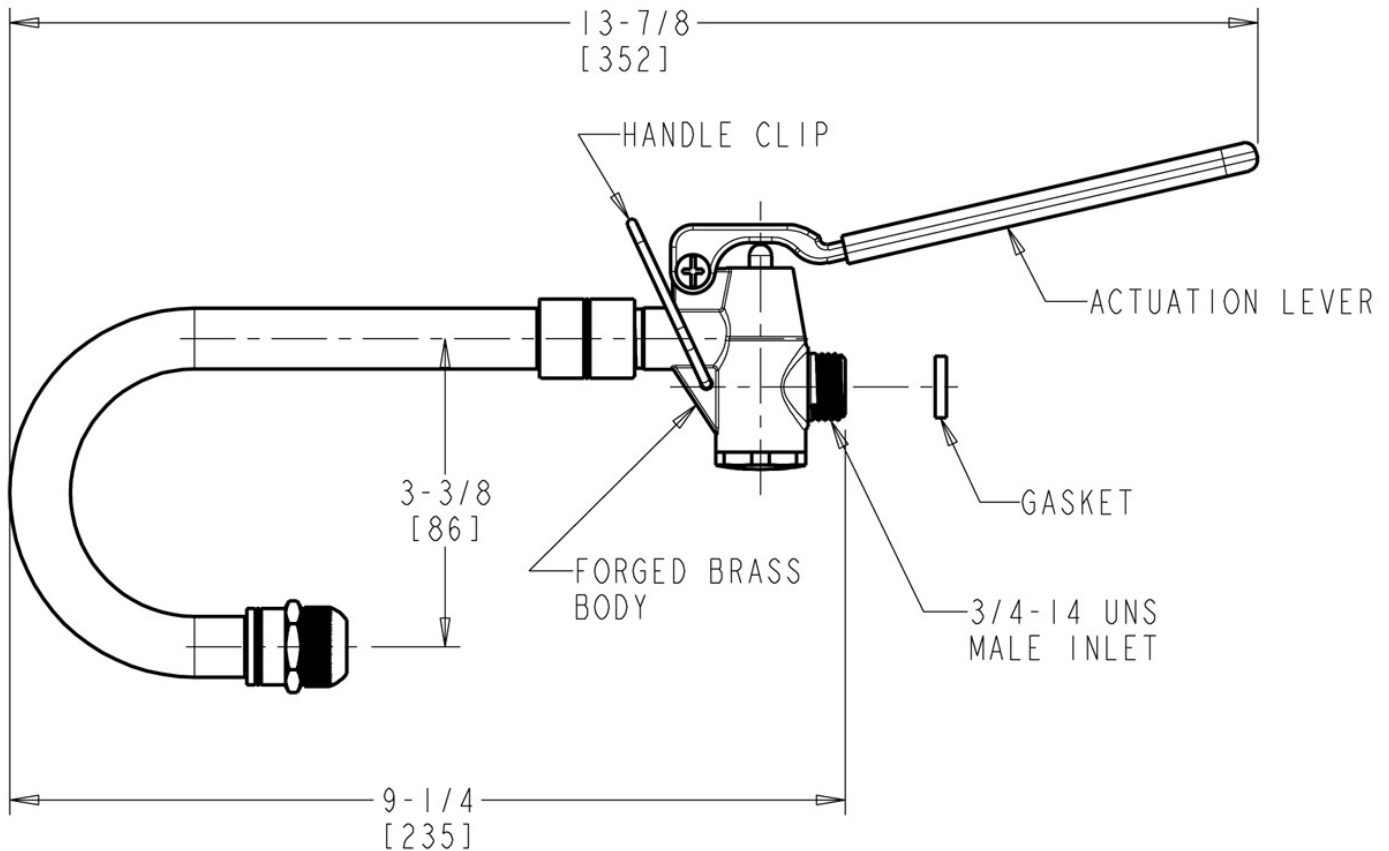
Submitted with Variations

Date _____



Architect/Engineer Specification

Chicago Faucets No. 90-GNABCP, Full-Flow Kettle Filler Valve, Chrome plated. Integrated stainless steel handle clip to hold handle open. Kettle filler valve with gooseneck spout screened full flow outlet. 3/4" - 14 UNS male thread inlet. All valve components are serviceable. Compatible with Fisher and T&S hoses. Chrome plated brass handle with PVC coating for heat resistance. Nickel plated brass valve stem with stainless steel spring. Forged brass valve body. ECAST® construction with less than 0.25% lead content by weighted average.



Operation and Maintenance

Installation should be in accordance with local plumbing codes. Flush all pipes thoroughly before installation. After installation, remove spout outlet or flow control and flush faucet thoroughly to clear any debris. Care should be taken when cleaning the product. Do not use abrasive cleaners, chemicals or solvents as they can result in surface damage. Use mild soap and warm water for cleaning and protecting the life of Chicago Faucet products. For specific operation and maintenance refer to the installation instructions and repair parts documents that are located at www.chicagofaucets.com.

Chicago Faucets, member of the Geberit Group, is the leading brand of commercial faucets and fittings in the United States, offering a complete range of products for schools, laboratories, hospitals, office buildings, food service, airports and sport facilities. Call 1.800.TECTRUE or 1.847.803.5000 Option 1 for installation or other technical assistance.

