

# Accessories & Parts

## 90-ANGABCP

### Product Type

---

Water conserving pre-rinse spray valve 1.0 GPM

### Features & Specifications

---

- Integrated stainless steel handle clip to hold handle open
- 3/4"-14 UNS Male Thread Inlet
- 1.0 GPM @ 60 PSI
- Complies with the requirements of the Buy American Act of 1933.



### Warranty

---

- 5-Year Limited Cartridge Warranty
- 5-Year Limited Faucet Warranty
- 1-Year Limited Finish Warranty

### Codes & Standards

---

-  ASME A112.18.1/CSA B125.1
- Complies with CALGreen requirements
-  NSF/ANSI 61, Section 9

Job Name \_\_\_\_\_

Item Number \_\_\_\_\_

Section/Tag \_\_\_\_\_

Model Specified \_\_\_\_\_

Architect \_\_\_\_\_

Engineer \_\_\_\_\_

Contractor \_\_\_\_\_

Submitted as Shown

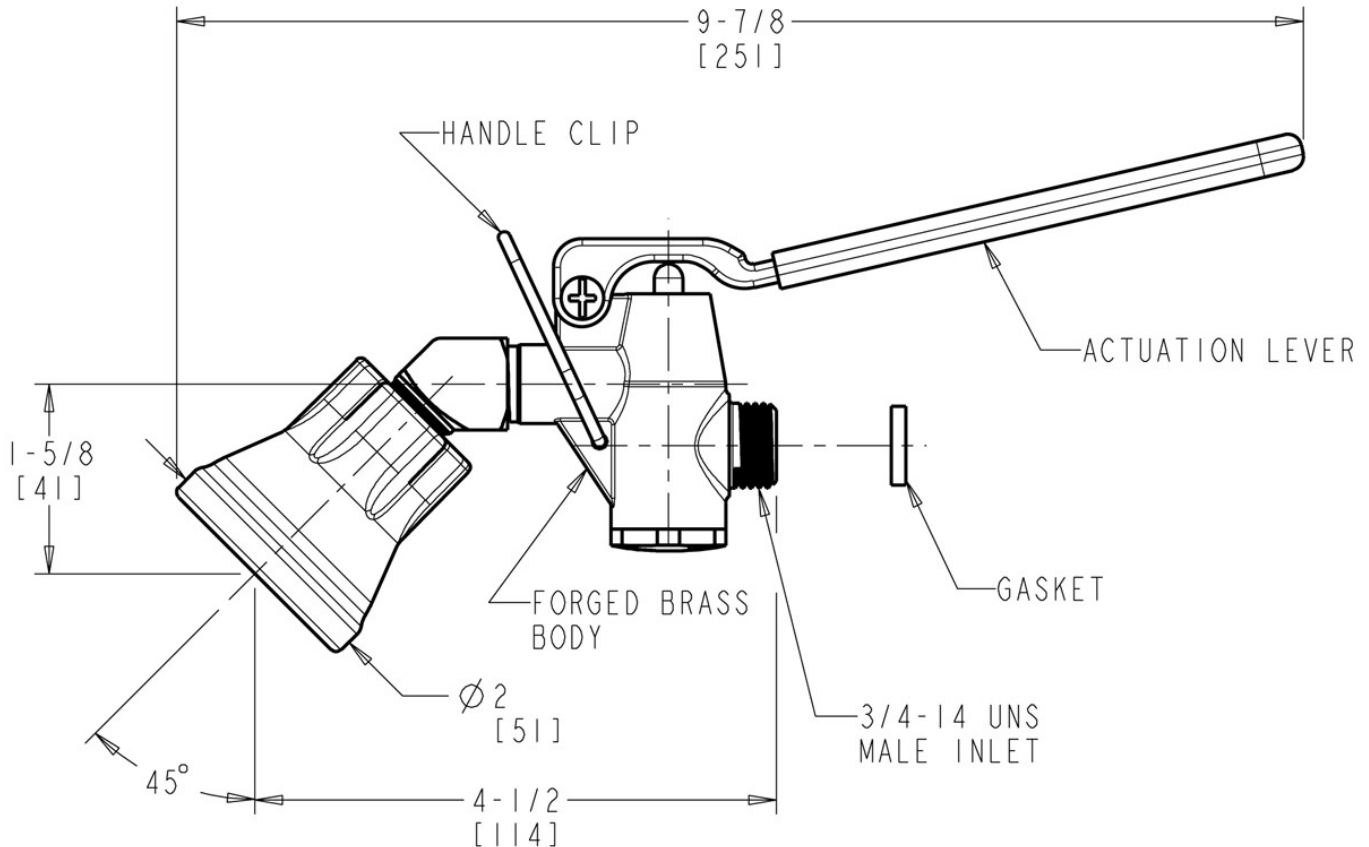
Submitted with Variations

Date \_\_\_\_\_



**Architect/Engineer Specification**

Chicago Faucets No. 90-ANGABCP, Water Conserving Pre-Rinse Valve, 1.0 GPM @ 60 PSI spray, chrome plated. Integrated stainless steel handle clip to hold handle open. One-piece stainless steel spray nozzle and diffuser. Rubber nozzle bumper. 3/4 - 14 UNS male thread inlet. All valve components are serviceable. Compatible with Fisher and T&S hoses. Chrome plated brass handle with PVC coating for heat resistance. Nickel plated brass valve stem with stainless steel spring. Forged brass valve body. ECAST® construction with less than 0.25% lead content by weighted average. CALGreen Compliant.



**Operation and Maintenance**

Installation should be in accordance with local plumbing codes. Flush all pipes thoroughly before installation. After installation, remove spout outlet or flow control and flush faucet thoroughly to clear any debris. Care should be taken when cleaning the product. Do not use abrasive cleaners, chemicals or solvents as they can result in surface damage. Use mild soap and warm water for cleaning and protecting the life of Chicago Faucet products. For specific operation and maintenance refer to the installation instructions and repair parts documents that are located at [www.chicagofaucets.com](http://www.chicagofaucets.com).

Chicago Faucets, member of the Geberit Group, is the leading brand of commercial faucets and fittings in the United States, offering a complete range of products for schools, laboratories, hospitals, office buildings, food service, airports and sport facilities. Call 1.800.TECTRUE or 1.847.803.5000 Option 1 for installation or other technical assistance.



2100 South Clearwater Drive  
Des Plaines, IL  
P: 847/803-5000  
F: 847/803-5454  
Technical: 800/TEC-TRUE  
[www.chicagofaucets.com](http://www.chicagofaucets.com)