

# Accessories & Parts

## 892-WXFCP

### Product Type

---

Wall-mounted concealed piping elevated vacuum breaker assembly

### Features & Specifications

---



- Atmospheric vacuum breaker, not intended for continuous pressure applications

### Warranty

---

### Codes & Standards

---

-  ASSE 1001 Certified
-  ASME A112.18.1/CSA B125.1

Job Name \_\_\_\_\_

Item Number \_\_\_\_\_

Section/Tag \_\_\_\_\_

Model Specified \_\_\_\_\_

Architect \_\_\_\_\_

Engineer \_\_\_\_\_

Contractor \_\_\_\_\_

Submitted as Shown       Submitted with Variations

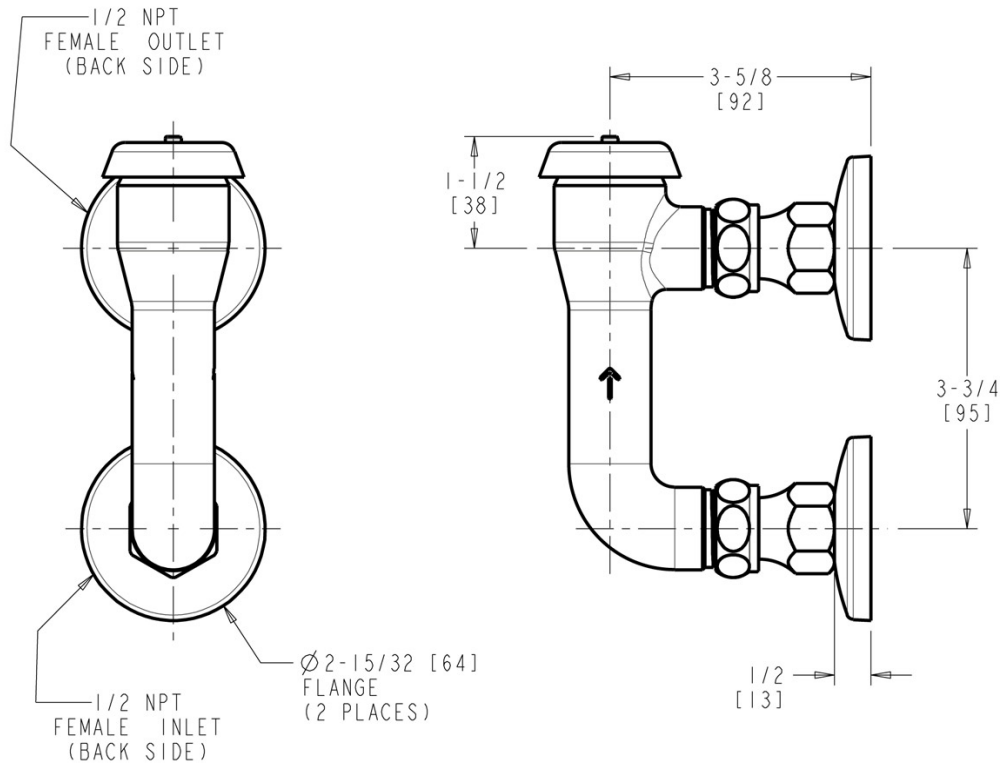
Date \_\_\_\_\_

*No  
Image  
Available*

**Architect/Engineer Specification**

Chicago Faucets No. 892-WXFCP, Wall-Mounted Concealed Piping Elevated Vacuum Breaker Assembly with 2" inlet supply arm and wall flange, chrome plated. Atmospheric vacuum breaker, not intended for continuous pressure applications.

NOTE: FOR PROPER HEIGHT OF  
INSTALLATION SEE LOCAL  
PLUMBING CODE REQUIREMENTS.



**Operation and Maintenance**

Installation should be in accordance with local plumbing codes. Flush all pipes thoroughly before installation. After installation, remove spout outlet or flow control and flush faucet thoroughly to clear any debris. Care should be taken when cleaning the product. Do not use abrasive cleaners, chemicals or solvents as they can result in surface damage. Use mild soap and warm water for cleaning and protecting the life of Chicago Faucet products. For specific operation and maintenance refer to the installation instructions and repair parts documents that are located at [www.chicagofaucets.com](http://www.chicagofaucets.com).

Chicago Faucets, member of the Geberit Group, is the leading brand of commercial faucets and fittings in the United States, offering a complete range of products for schools, laboratories, hospitals, office buildings, food service, airports and sport facilities. Call 1.800.TECTRUE or 1.847.803.5000 Option 1 for installation or other technical assistance.

