

# Accessories & Parts

## 242.165.AB.1

### Product Type

---

Concealed mechanical mixing valve for single faucet installations

### Features & Specifications

---

- Inlet cone-shaped filter washers
- 1/2" NPSM male thread Inlets, 1/2" NPSM female thread outlet
- Includes inlet check valves
- CFNow! Item Ships in 3 Days


### Warranty

---

- 1-Year Limited Finish Warranty
- 5-Year Limited Mechanical Warranty

### Codes & Standards

---

-  ASME A112.18.1/CSA B125.1

Job Name \_\_\_\_\_

Item Number \_\_\_\_\_

Section/Tag \_\_\_\_\_

Model Specified \_\_\_\_\_

Architect \_\_\_\_\_

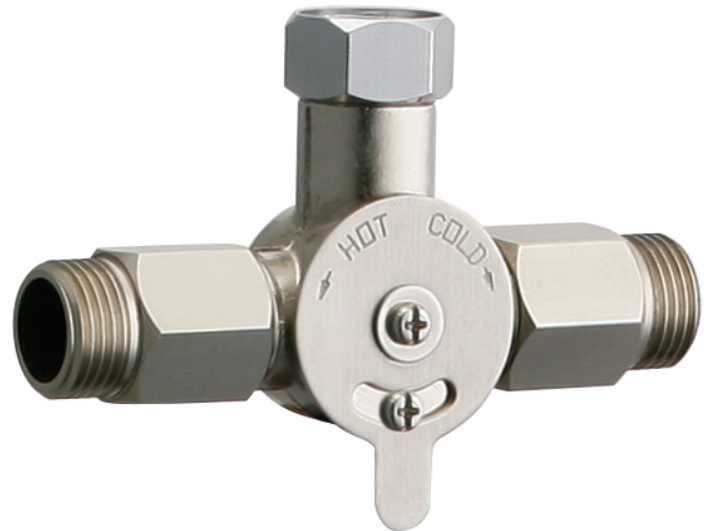
Engineer \_\_\_\_\_

Contractor \_\_\_\_\_

Submitted as Shown

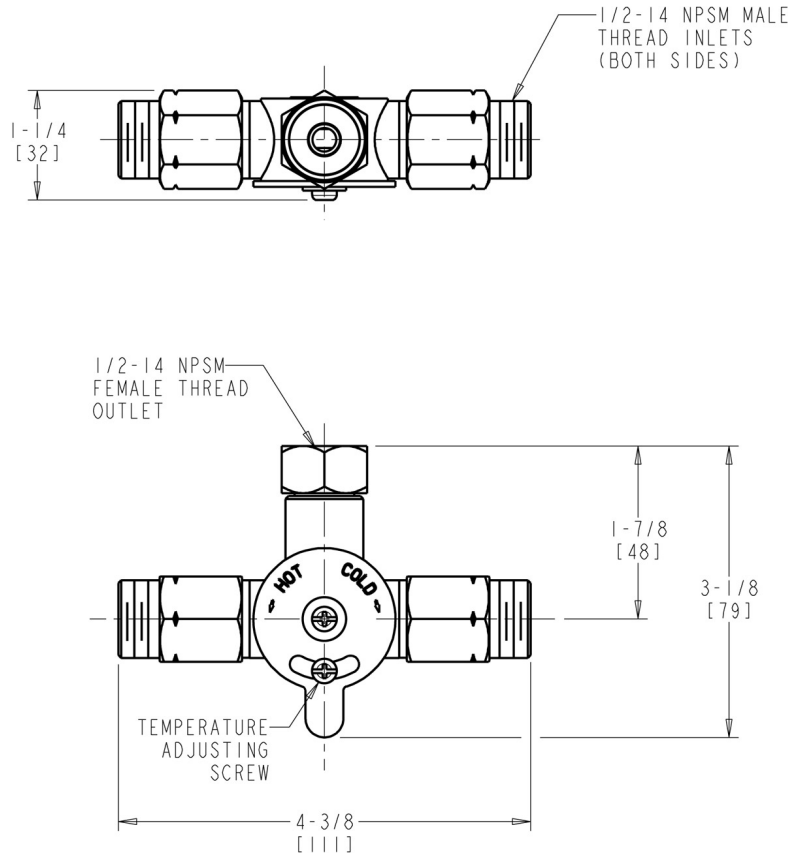
Submitted with Variations

Date \_\_\_\_\_



**Architect/Engineer Specification**

Chicago Faucets No. 242.165.AB.1, Concealed Mechanical Mixing Valve. 1/2" NPSM male thread inlets. 1/2" NPSM female thread outlet. Inlet cone-shaped filter washers. For single faucet installations only. Delivers minimum flow rate of 2.5 GPM. Temperature adjusting screw. Inlet check valves. ECAST® construction with less than 0.25% lead content by weighted average.



**Operation and Maintenance**

Installation should be in accordance with local plumbing codes. Flush all pipes thoroughly before installation. After installation, remove spout outlet or flow control and flush faucet thoroughly to clear any debris. Care should be taken when cleaning the product. Do not use abrasive cleaners, chemicals or solvents as they can result in surface damage. Use mild soap and warm water for cleaning and protecting the life of Chicago Faucet products. For specific operation and maintenance refer to the installation instructions and repair parts documents that are located at [www.chicagofaucets.com](http://www.chicagofaucets.com).

Chicago Faucets, member of the Geberit Group, is the leading brand of commercial faucets and fittings in the United States, offering a complete range of products for schools, laboratories, hospitals, office buildings, food service, airports and sport facilities. Call 1.800.TECTRUE or 1.847.803.5000 Option 1 for installation or other technical assistance.

