

Accessories & Parts

1310-BAF

Product Type

Single-gang, single-face electrical outlet box

Features & Specifications

- Aluminum construction
- Complies with the requirements of the Buy American Act of 1933.

Warranty

Codes & Standards

-  UL Listed

Job Name _____

Item Number _____

Section/Tag _____

Model Specified _____

Architect _____

Engineer _____

Contractor _____

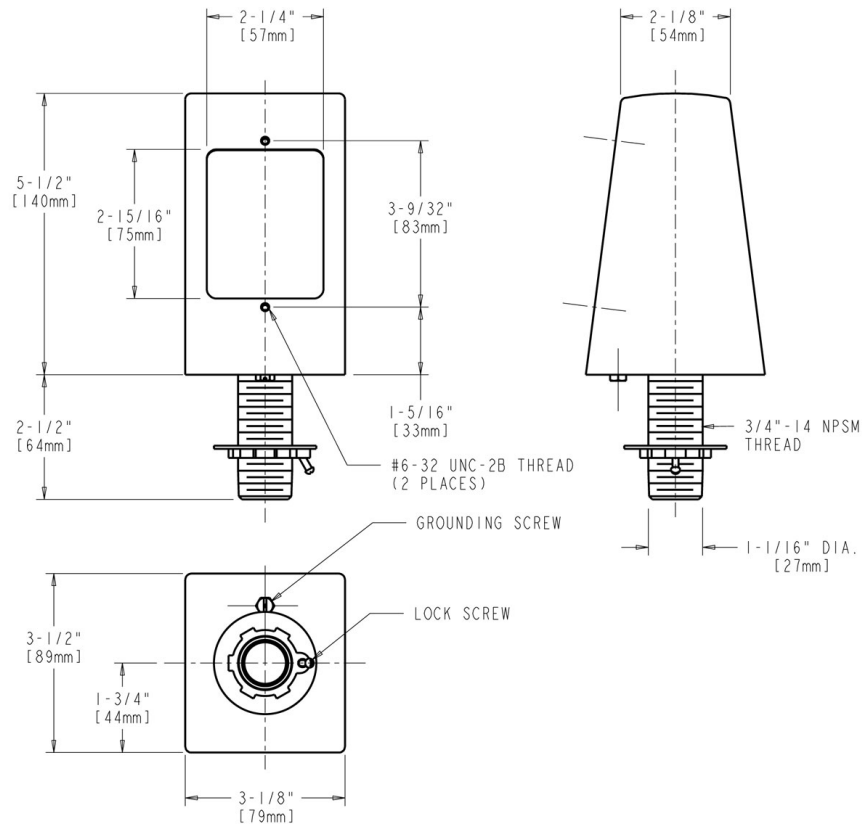
Submitted as Shown Submitted with Variations

Date _____

*No
Image
Available*

Architect/Engineer Specification

Chicago Faucets No. 1310-BAF, Single Gang, Single Face Electrical Outlet Box. 3/4 NPSM male mounting shank assembly, mounting shank nut with lock screw, electrical grounding screw at bottom of box, Aluminum Construction, Brushed Aluminum Finish. For 120 volt service.



Operation and Maintenance

Installation should be in accordance with local plumbing codes. Flush all pipes thoroughly before installation. After installation, remove spout outlet or flow control and flush faucet thoroughly to clear any debris. Care should be taken when cleaning the product. Do not use abrasive cleaners, chemicals or solvents as they can result in surface damage. Use mild soap and warm water for cleaning and protecting the life of Chicago Faucet products. For specific operation and maintenance refer to the installation instructions and repair parts documents that are located at www.chicagofaucets.com.

Chicago Faucets, member of the Geberit Group, is the leading brand of commercial faucets and fittings in the United States, offering a complete range of products for schools, laboratories, hospitals, office buildings, food service, airports and sport facilities. Call 1.800.TECTRUE or 1.847.803.5000 Option 1 for installation or other technical assistance.

