

Accessories & Parts

116.587.AB.1

Product Type

Deck-mounted ADA and HCAI-compliant mechanical mixing valve with user temperature control




Features & Specifications

- ADA and HCAI-compliant 4" blade handle with hot/cold index for single-hole, single-supply HyTronic installations
- *Note: 180°F max. during temporary high-temperature system flush
- Cast brass valve body, stainless steel supply hoses
- Includes inlet check valves, mounting hardware
- CFNow! Item Ships in 3 Days

Warranty

- 5-Year Limited Cartridge Warranty
- 1-Year Limited Finish Warranty
- 5-Year Limited Mechanical Warranty

Codes & Standards

-  ADA ANSI/ICC A117.1
-  NSF/ANSI 372 Low Lead Content
-  NSF/ANSI 61, Section 9

Job Name _____

Item Number _____

Section/Tag _____

Model Specified _____

Architect _____

Engineer _____

Contractor _____

Submitted as Shown

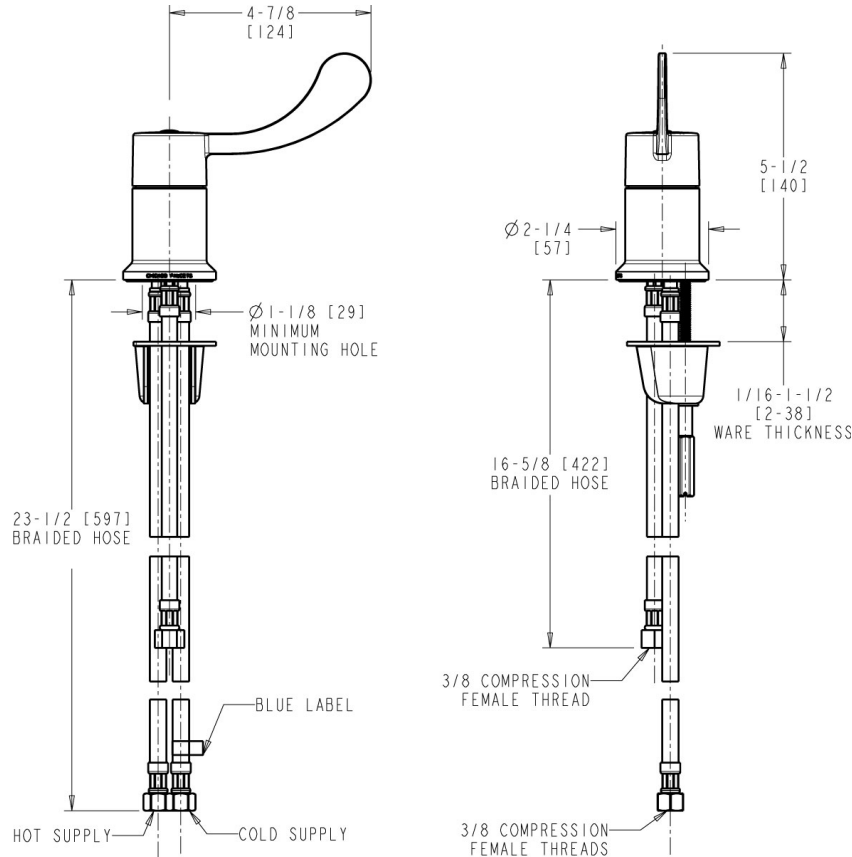
Submitted with Variations

Date _____



Architect/Engineer Specification

Chicago Faucets No. 116.587.AB.1, Exposed Mechanical Mixing Valve with User Control, chrome plated. ADA and HCAI-compliant deck mounted unit. For single-hole, single-supply HyTronic installations. ADA and HCAI-compliant 4" blade handle with hot/cold index. Cast brass valve body. Stainless steel braided inlet and out hoses (included). Includes: inlet check valves, mounting hardware. ECAST® construction with less than 0.25% lead content by weighted average.



Operation and Maintenance

Installation should be in accordance with local plumbing codes. Flush all pipes thoroughly before installation. After installation, remove spout outlet or flow control and flush faucet thoroughly to clear any debris. Care should be taken when cleaning the product. Do not use abrasive cleaners, chemicals or solvents as they can result in surface damage. Use mild soap and warm water for cleaning and protecting the life of Chicago Faucet products. For specific operation and maintenance refer to the installation instructions and repair parts documents that are located at www.chicagofaucets.com.

Chicago Faucets, member of the Geberit Group, is the leading brand of commercial faucets and fittings in the United States, offering a complete range of products for schools, laboratories, hospitals, office buildings, food service, airports and sport facilities. Call 1.800.TECTRUE or 1.847.803.5000 Option 1 for installation or other technical assistance.



2100 South Clearwater Drive
Des Plaines, IL
P: 847/803-5000
F: 847/803-5454
Technical: 800/TEC-TRUE
www.chicagofaucets.com