

**CHICAGO FAUCETS**

a Geberit company

2100 South Clearwater Drive  
Des Plaines, IL 60018  
Phone: 847-803-5000  
Fax: 847-803-5454  
www.chicagofaucets.com

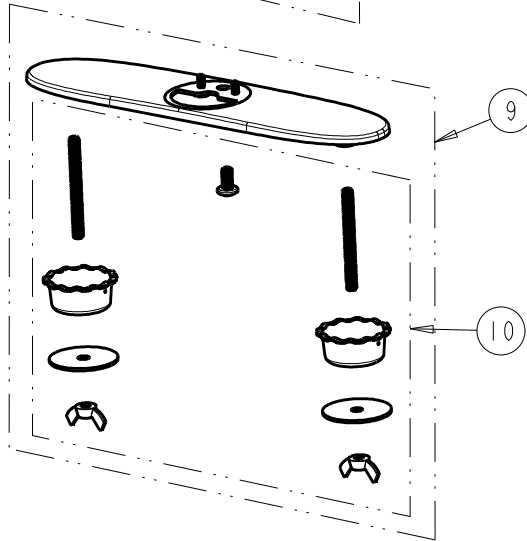
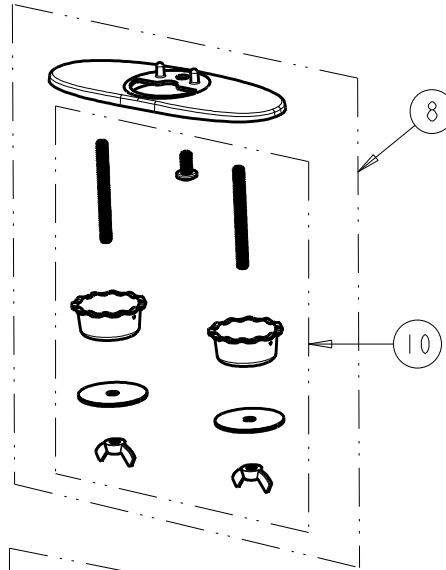
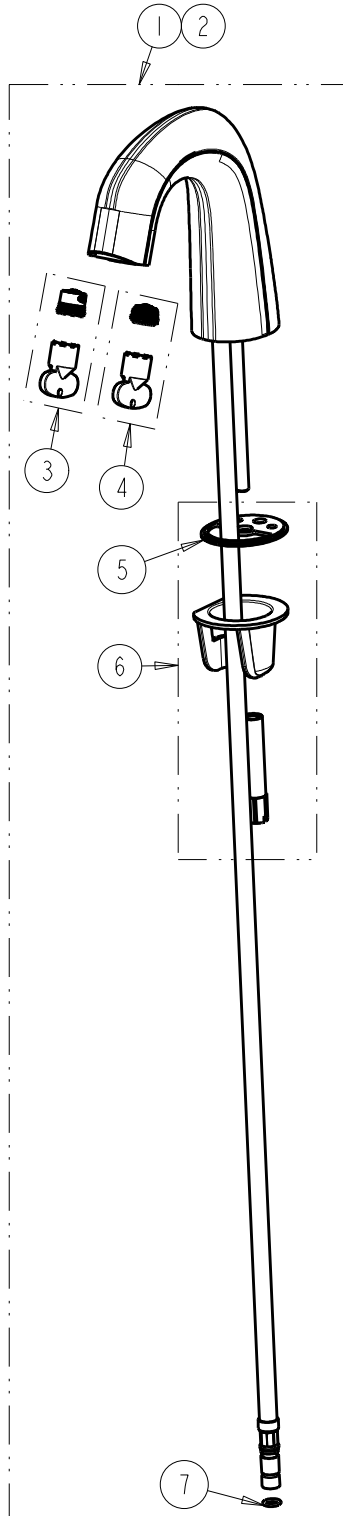
**FOR TECHNICAL ASSISTANCE**  
1-800-TEC-TRUE (1-800-832-8783)

**REPAIR PARTS**

BY: JAR    DATE: 01-15-15  
CHK:        REV:

FITTING NO.  
**EQ-D1\_SERIES**  
SUBMITTED MODEL NO.

ITEM NO.



**NOTE:**  
ITEM 5 INCLUDES ITEM 7 AND 2 OTHER GASKETS. (NOT SHOWN)

ITEM	PART NO.	DESCRIPTION
1	EQ-D11A-KJKABCP	KIT, EQ CURVED ZINC SPOUT w/ 0.5 GPM
2	EQ-D12B-KJKABCP	KIT, EQ CURVED ZINC SPOUT w/ 1.0 GPM
3	243.146.AB.1	KIT, OUTLET FOR EQ 1.0 GPM
4	243.145.AB.1	KIT, OUTLET FOR EQ 0.5 GPM
5	243.150.AB.1	KIT, SPOUT SEAL EQ SERIES
6	243.147.00.1	KIT, HARDWARE FOR EQ CURVED SPOUT
7	-----	O-RING #011, DRINKING WATER COMPLIANT
8	EQ-A12-KJKCP	KIT, 4" COVER PLATE - EQ CURVED/HIGHARC
9	EQ-A13-KJKCP	KIT, 8" COVER PLATE - EQ CURVED/HIGHARC
10	243.181.00.1	KIT, HARDWARE FOR EQ COVER PLATES