

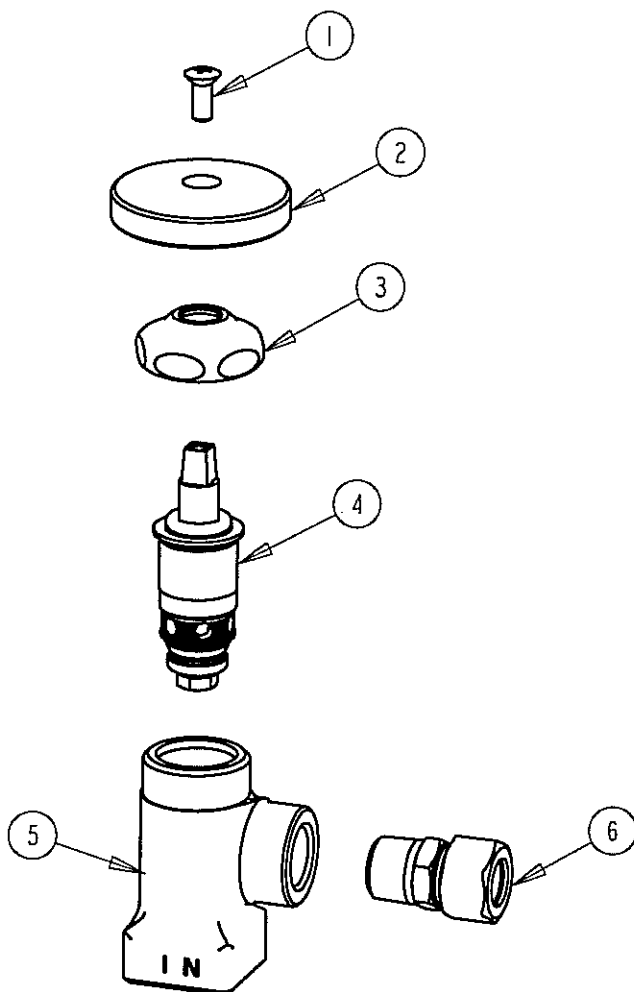
# PARTS LIST

BY: SID  
CHK'D: SID

**CHICAGO FAUCETS**  
*Last As Long As The Building*

FINISH: AS SPECIFIED  
DATE: 11-25-02

993



ITEM NO.	PART NO.	DESCRIPTION
1	420-010	SCREW
2	318	WHEEL HANDLE ASSEMBLY
3	1-214	CAP
4	217XTLH	SLO-COMPRESSION UNIT (LH)
5	-----	VALVE BODY (NOT SOLD SEPARATELY)
6	1022-006	COMPRESSION FITTING