



a Geberit company

2100 South Clearwater Drive
Des Plaines, IL 60018
Phone: 847-803-5000
Fax: 847-803-5454
www.chicagofaucets.com

REPAIR PARTS

BY: PAS DATE: 05-13-15

CHK: *AR* REV:

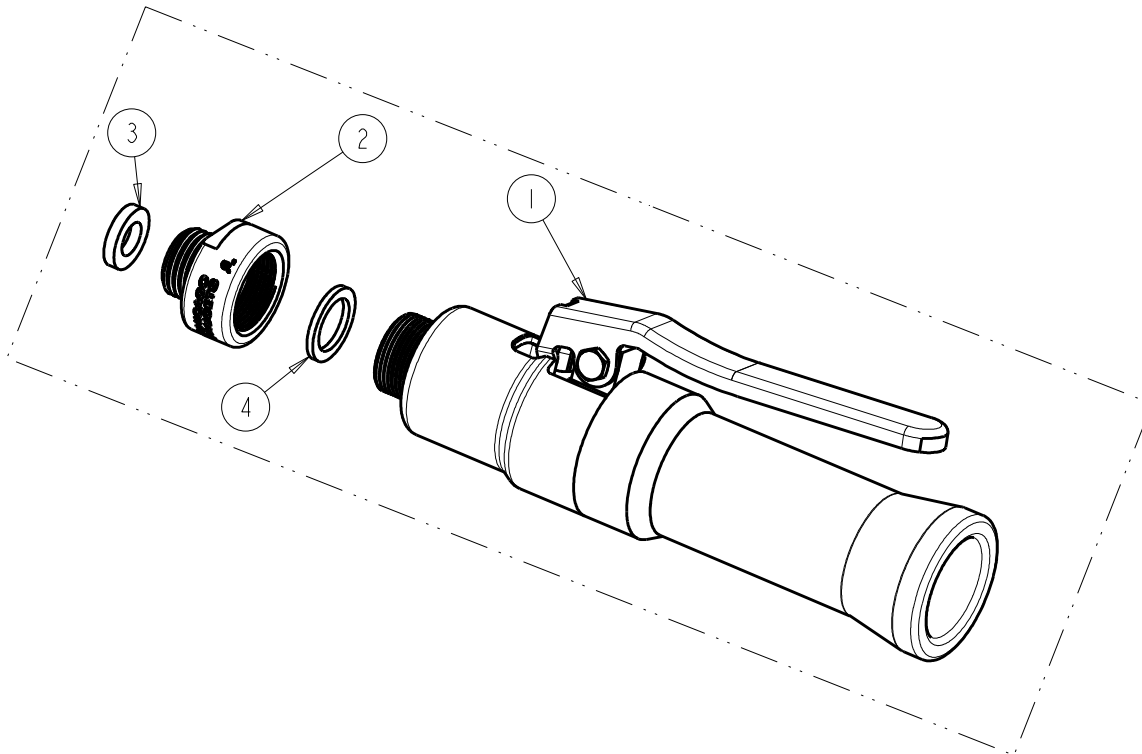
FITTING NO.

99-ASAB

SUBMITTED MODEL NO.

ITEM NO.

FOR TECHNICAL ASSISTANCE
1-800-TEC-TRUE (1-800-832-8783)



ITEM	PART NO.	DESCRIPTION
1	-----	NOT SOLD SEPARATELY
2	919-046JKABRCF	ADAPTER, PRE-RINSE
3	919-243JKABNF	GASKET, .685 X .375 X .125
4	919-244JKABNF	GASKET, .825 X .590 X .072