

PARTS LIST

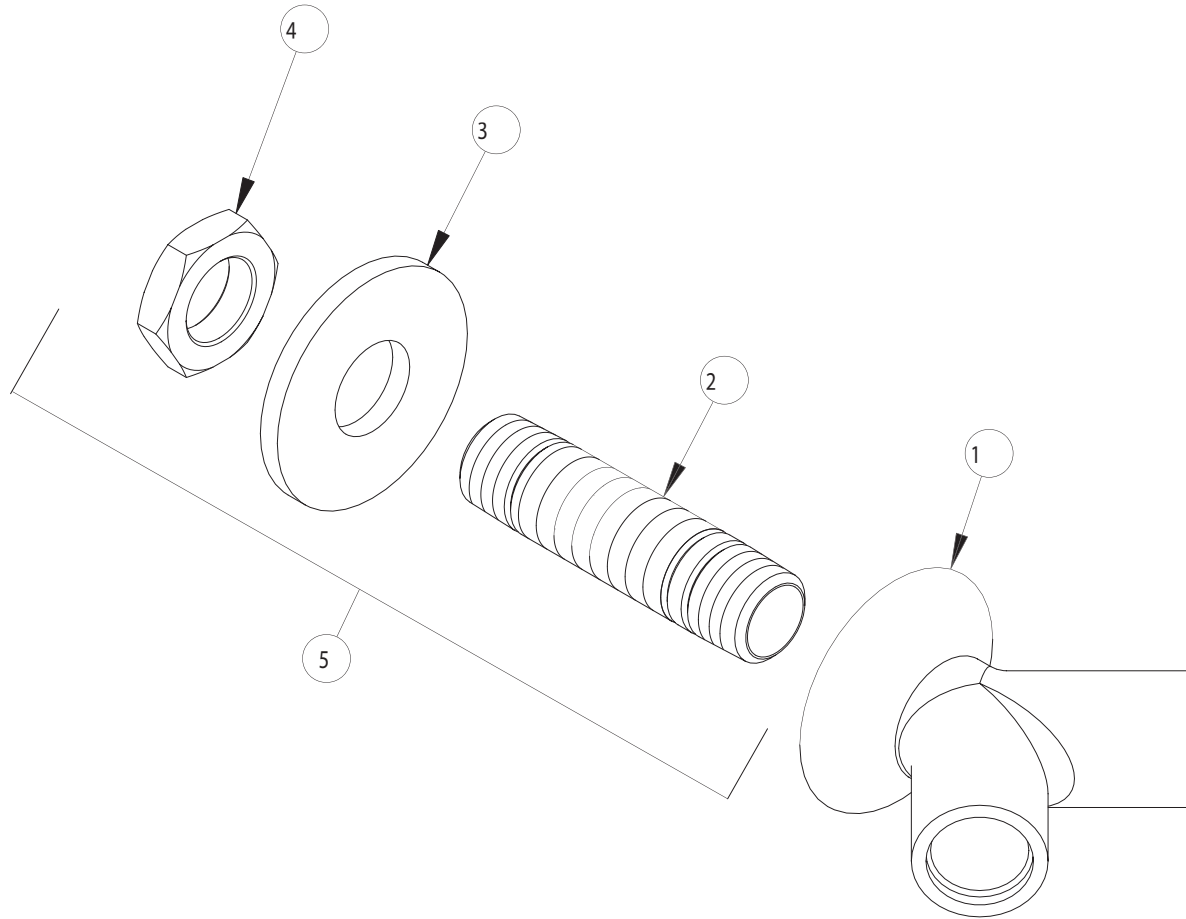
BY: SID
CHK'D:



FINISH:
DATE:

AS SPECIFIED
11-01-01

987



ITEM NO.	PART NO.	DESCRIPTION
1	987-F	LAB FLANGE
2	979-001	MALE THREAD SHANK
3	705-010	STEEL WASHER
4	705-008	NUT
5	979-001K	SHANK ASSEMBLY