



a Geberit company

2100 South Clearwater Drive
Des Plaines, IL 60018
Phone: 847-803-5000
Fax: 847-803-5454
www.chicagofaucets.com

REPAIR PARTS

BY: JAR DATE: 09-18-09

CHK: *[Signature]* REV:

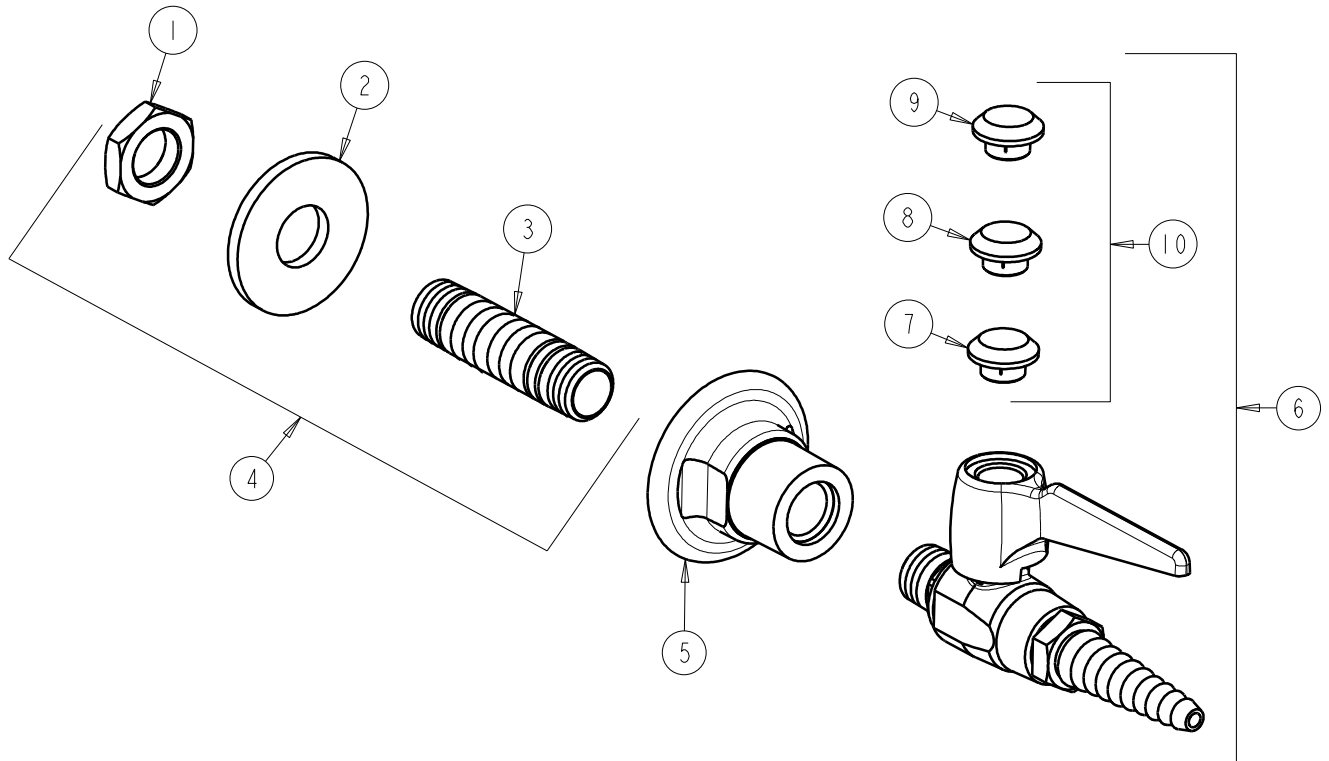
FITTING NO.

986-WSV909AGVSAM

SUBMITTED MODEL NO.

ITEM NO.

FOR TECHNICAL ASSISTANCE
1-800-TEC-TRUE (1-800-832-8783)



ITEM	PART NO.	DESCRIPTION	ITEM	PART NO.	DESCRIPTION
1	705-008JKRBF	NUT	6	909-AGVJKSAM	BALL VALVE
2	705-010JKNF	STEEL WASHER	7	216-278JKNF	BUTTON 'AIR'
3	—	MALE SHANK 2-5/8 X 3/8	8	216-328JKNF	BUTTON 'GAS'
4	979-001KJKRBF	SHANK ASSEMBLY 2-5/8 X 3/8 NPT	9	216-378JKNF	BUTTON 'VAC'
5	—	WALL FLANGE	10	216-PPJKNF	PRE-PACK (AIR, GAS, VAC)