

PARTS LIST

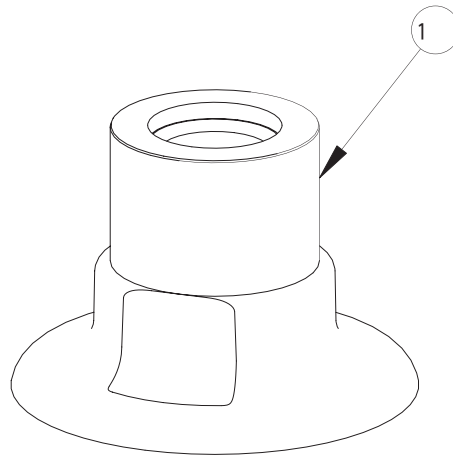
BY: SID
CHK'D:



FINISH:
DATE:

AS SPECIFIED
11-01-01

986-F



ITEM NO.	PART NO.	DESCRIPTION
1	986-F	LAB FLANGE