

# CHICAGO FAUCETS.

Geberit Group

**FOR TECHNICAL ASSISTANCE**  
1-800-TEC-TRUE (1-800-832-8783)

2100 South Clearwater Drive  
Des Plaines, IL 60018  
Phone: 847-803-5000  
Fax: 847-803-5454  
www.chicagofaucets.com

## REPAIR PARTS

BY: JAR DATE: 05-05-11

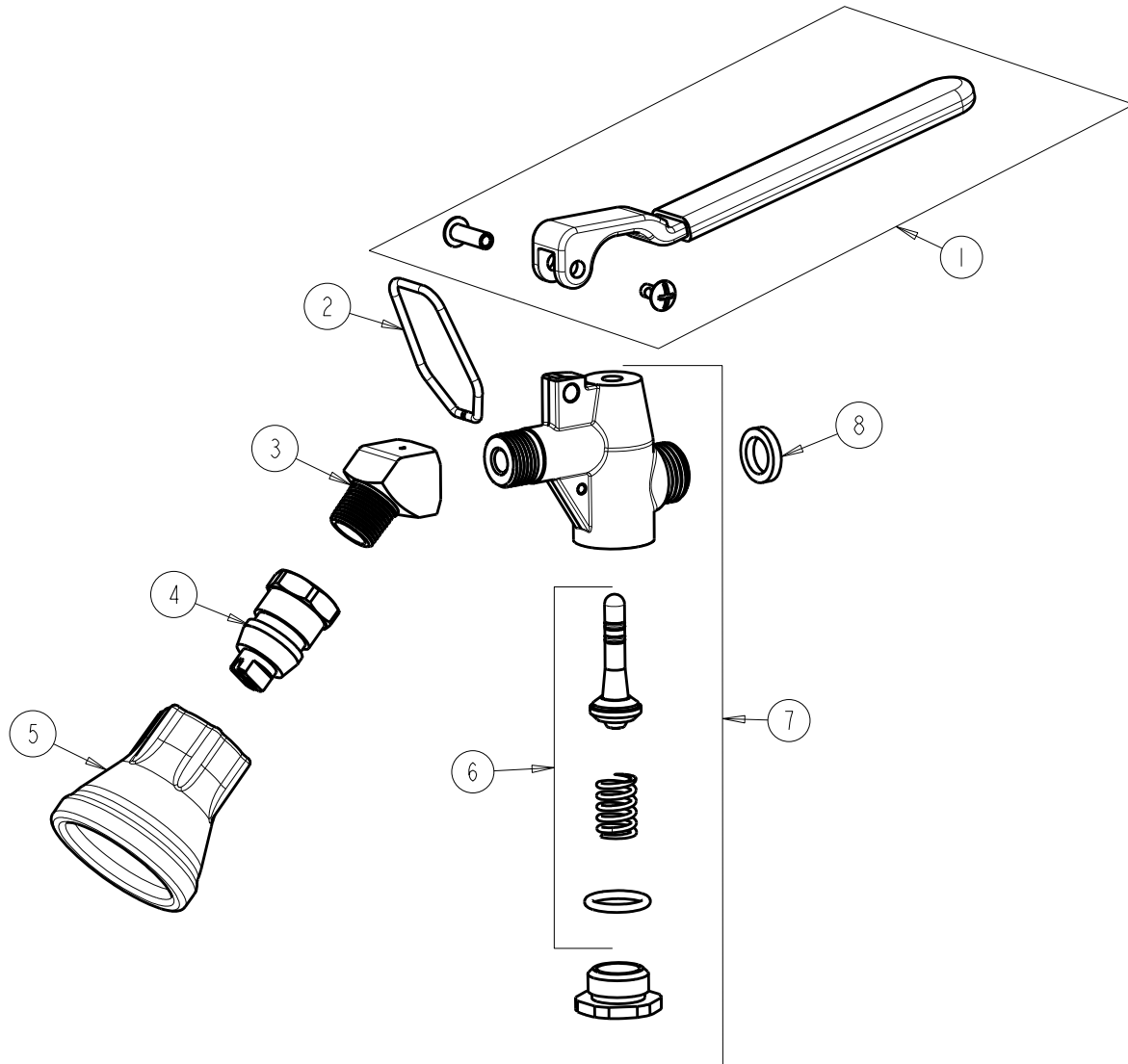
CHK: FHZ REV: 01-18-23

FITTING NO.

**90-ANGABCP**

SUBMITTED MODEL NO.

ITEM NO.



**NOTES:**

1. ITEM 7 SUPPLIED ASSEMBLED.
2. ITEM 3 AND 4 ARE ADHESIVED TO VALVE BODY AT THE FACTORY BUT ARE AVAILABLE AS 'JK' ITEM.

ITEM	PART NO.	DESCRIPTION
1	90-001KJKNF	KIT, PRE-RINSE HANDLE
2	919-153JKNF	HANDLE CLIP
3	925-006JKABCP	ELBOW, 45 DEGREE
4	919-158JKABNF	NOZZLE 1.0 GPM
5	919-151JKNF	BUMPER, RUBBER
6	919-130KJKNF	KIT, VALVE STEM ASSEMBLY
7	919-430KJKABCP	KIT, PRE-RINSE VALVE ASSEMBLY
8	200-010JKABNF	GASKET