

**CHICAGO FAUCETS**  
a Geberit company

2100 South Clearwater Drive  
Des Plaines, IL 60018  
Phone: 847-803-5000  
Fax: 847-803-5454  
www.chicagofaucets.com

**REPAIR PARTS**

FITTING NO.

**895-GN2BVBE7XKCP**

SUBMITTED MODEL NO.

BY: SID

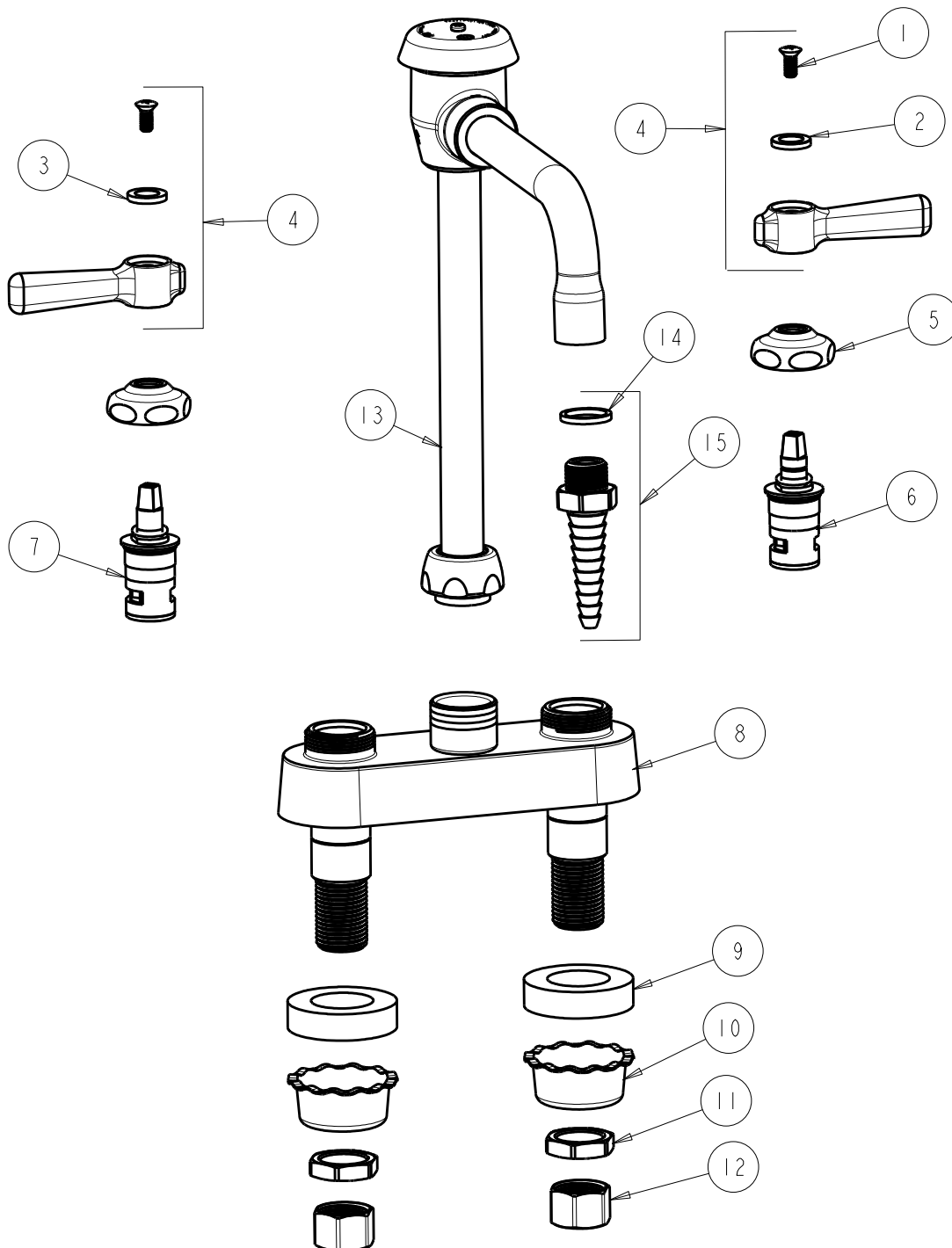
DATE: 02-04-11

CHK: *[Signature]*

REV:

ITEM NO.

**FOR TECHNICAL ASSISTANCE**  
1-800-TEC-TRUE (1-800-832-8783)



ITEM	PART NO.	DESCRIPTION	ITEM	PART NO.	DESCRIPTION
1	420-010JKRCF	SCREW, 10-32 UNC PH 1/2	9	555-313JKNF	WASHER
2	633-123JKNF	INDEX BUTTON (BLUE)	10	1797-114JKNF	BASIN COCK WASHER
3	633-023JKNF	INDEX BUTTON (RED)	11	49-004JKRBF	LOCKNUT
4	369-PRJKCP	LEVER HANDLE ASSEMBLY (PAIR)	12	49-005JKRBF	COUPLING NUT
5	1-214JKCP	CAP	13	GN2BVBJKCP	VACUUM BREAKER SWING SPOUT
6	1-099XKJKNF	RH CERAMIC CARTRIDGE 1/4	14	229-003JKNF	WASHER
7	1-100XKJKNF	LH CERAMIC CARTRIDGE 1/4	15	E7JKCP	SERRATED HOSE NOZZLE
8	---	VALVE BODY (NOT SOLD SEPARATELY)			