

**CHICAGO FAUCETS**  
a Geberit company

2100 South Clearwater Drive  
Des Plaines, IL 60018  
Phone: 847-803-5000  
Fax: 847-803-5454  
www.chicagofaucets.com

**REPAIR PARTS**

FITTING NO.

**895-317RGD1VPCCP**

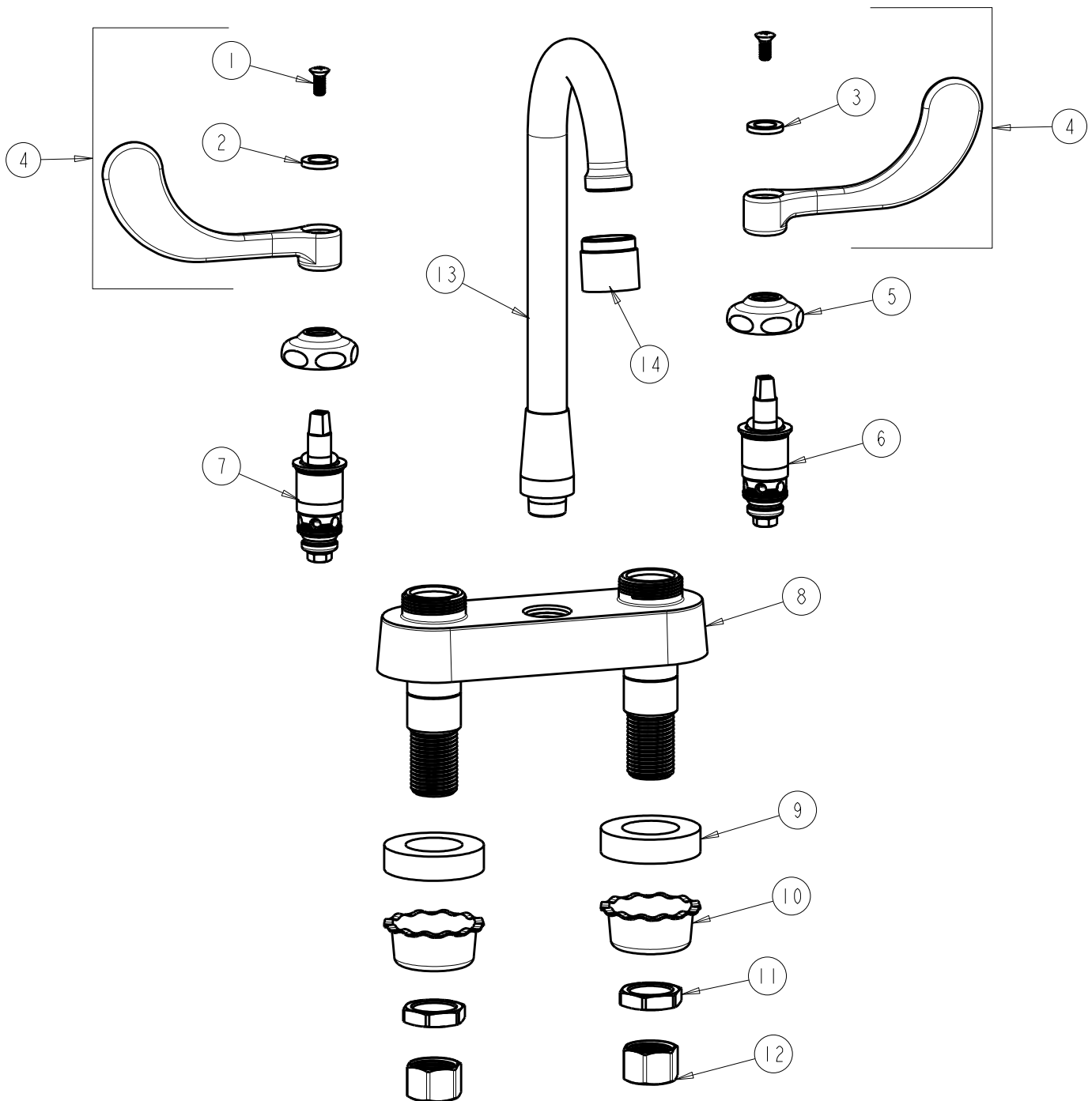
SUBMITTED MODEL NO.

BY: SID DATE: 02-18-11

CHK: *[Signature]* REV:

ITEM NO.

**FOR TECHNICAL ASSISTANCE**  
1-800-TEC-TRUE (1-800-832-8783)



ITEM	PART NO.	DESCRIPTION	ITEM	PART NO.	DESCRIPTION
1	420-010JKRCF	SCREW, 10-32 UNC PH 1/2	8	---	VALVE BODY (NOT SOLD SEPARATELY)
2	633-023JKNF	INDEX BUTTON (RED)	9	555-313JKNF	WASHER
3	633-123JKNF	INDEX BUTTON (BLUE)	10	1797-114JKNF	BASIN COCK WASHER
4	317-PRJKCP	HANDLE, 4" WRISTBLADE (PAIR)	11	49-004JKRBF	LOCKNUT
5	1-214JKCP	CAP	12	49-005JKRBF	COUPLING NUT
6	1-099XTJKNF	QUATURN UNIT (RH)	13	GNRGD1JKCP	SPOUT ASSEMBLY
7	1-100XTJKNF	QUATURN UNIT (LH)	14	E3VPJKCP	V.R. SOFTFLO AERATOR W/ V.R. KEY