

**CHICAGO FAUCETS**  
a Geberit company

2100 South Clearwater Drive  
Des Plaines, IL 60018  
Phone: 847-803-5000  
Fax: 847-803-5454  
www.chicagofaucets.com

**REPAIR PARTS**

FITTING NO.

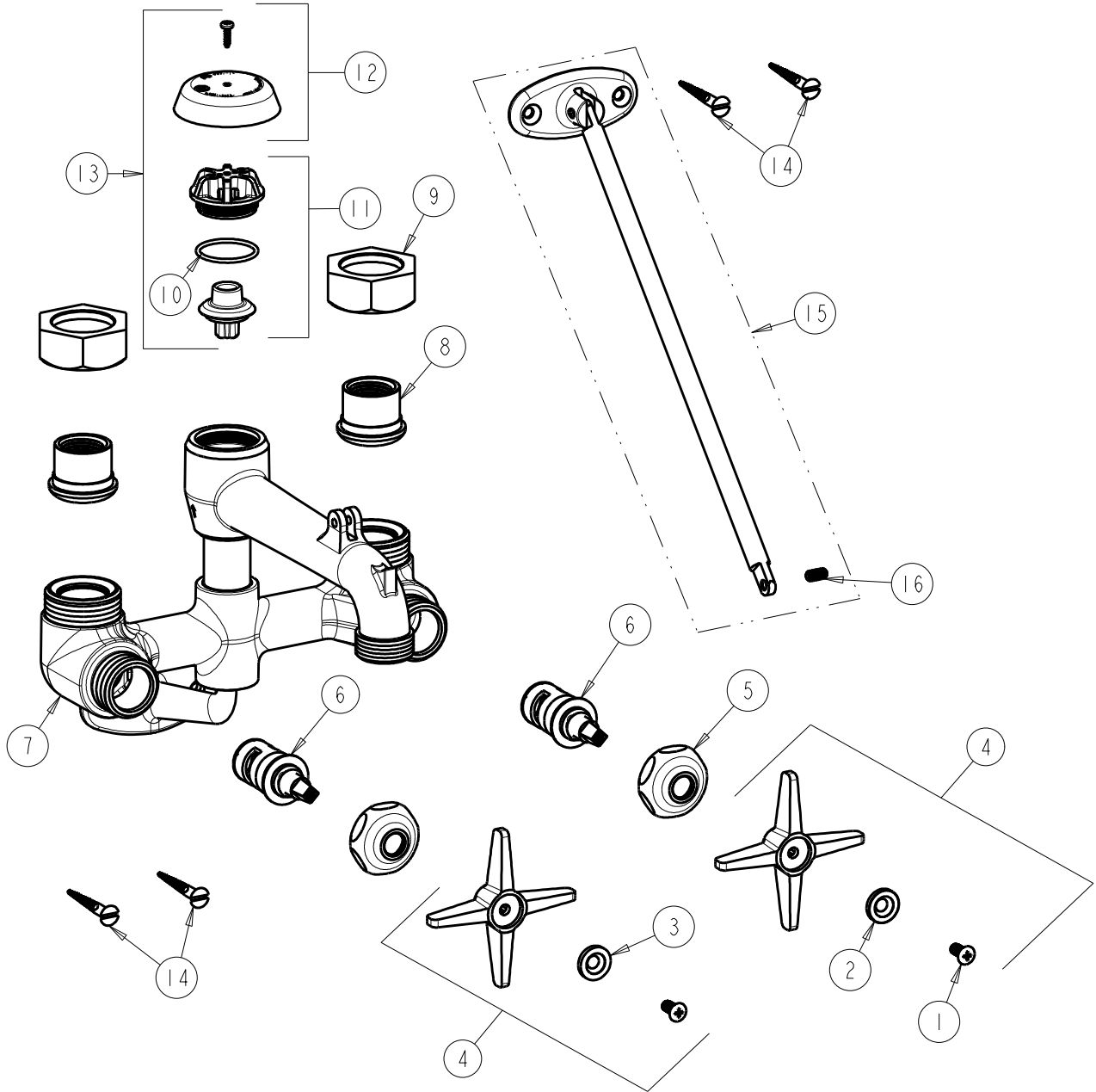
**835-XKCP**

SUBMITTED MODEL NO.

ITEM NO.

**FOR TECHNICAL ASSISTANCE**  
1-800-TEC-TRUE (1-800-832-8783)

BY: JAR    DATE: 04-09-02  
CHK: *[Signature]*    REV: 06-14-12



| ITEM | PART NO.     | DESCRIPTION             | ITEM | PART NO.     | DESCRIPTION                   |
|------|--------------|-------------------------|------|--------------|-------------------------------|
| 1    | 420-010JKRCF | SCREW, 10-32 UNC PH 1/2 | 9    | 177-002JKCP  | UNION NUT                     |
| 2    | 633-123JKNF  | INDEX BUTTON (BLUE)     | 10   | 80-007JKNF   | O RING 0.989 X .070           |
| 3    | 633-023JKNF  | INDEX BUTTON (RED)      | 11   | 892-302KJKNF | VACUUM BREAKER REPAIR KIT     |
| 4    | 633-PRJKCP   | 4-ARM HANDLE ASSEMBLY   | 12   | 892-254KJKCP | VACUUM BREAKER COVER w/ SCREW |
| 5    | 1-214JKCP    | CAP                     | 13   | 892-402KJKNF | KIT, VACUUM BREAKER ASSEMBLY  |
| 6    | 1-100XKJKNF  | LH CERAMIC QUATURN UNIT | 14   | 173-006JKCP  | FLAT HEAD WOOD SCREW          |
| 7    | ---          | VALVE BODY              | 15   | 897-013KJKCP | BRACE ROD ASSEMBLY            |
| 8    | 177-003JKCP  | UNION TAILPIECE         | 16   | 665-116JKNF  | SET SCREW                     |