



2100 South Clearwater Drive
Des Plaines, IL 60018
Phone: 847-803-5000
Fax: 847-803-5454
www.chicagofaucets.com

REPAIR PARTS

FITTING NO.

786-GR8E35V317XKAB

SUBMITTED MODEL NO.

BY: SID

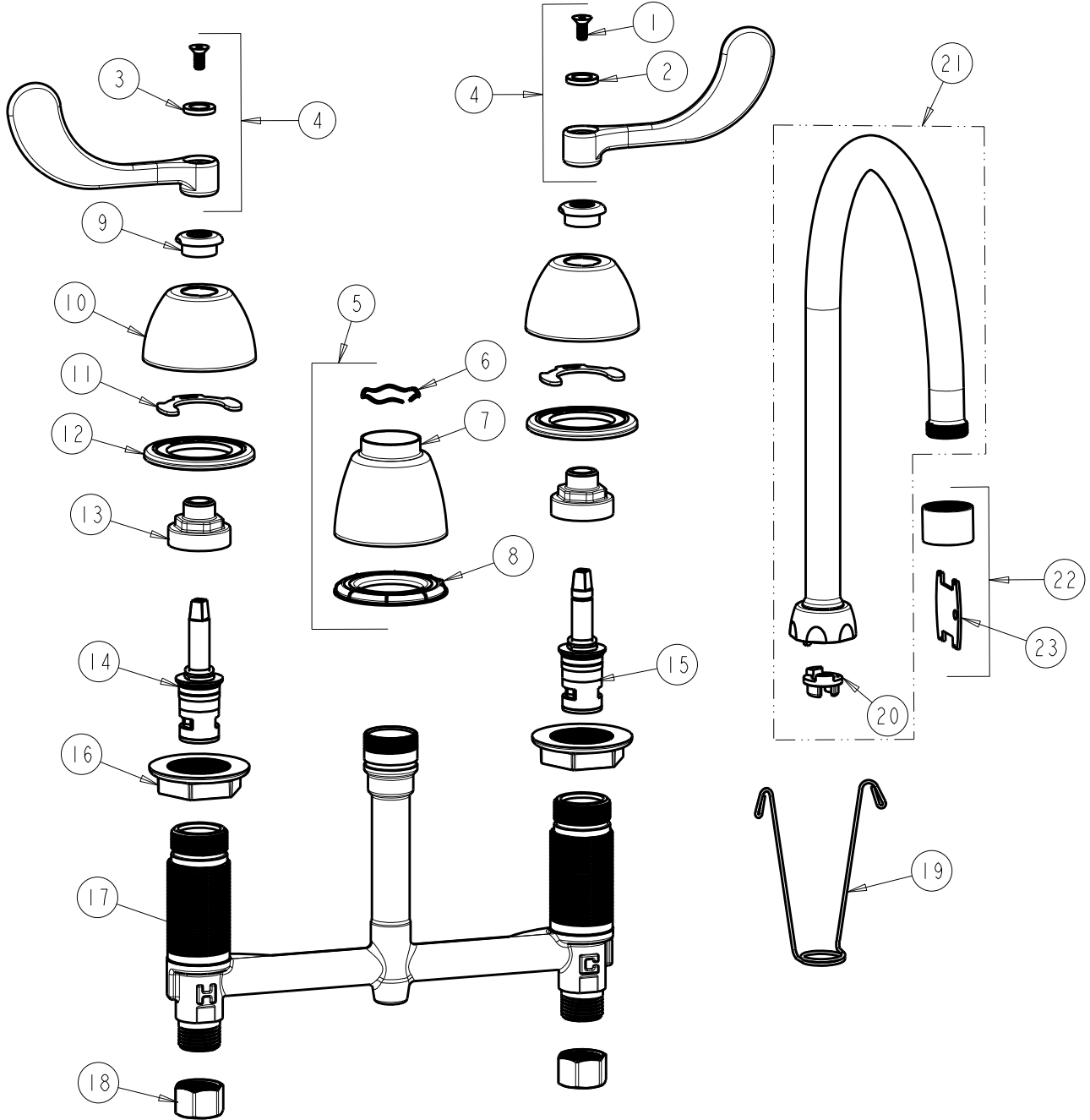
DATE: 06-25-21

ITEM NO.

CHK: *gac*

REV:

FOR TECHNICAL ASSISTANCE
1-800-TEC-TRUE (1-800-832-8783)



ITEM	PART NO.	DESCRIPTION	ITEM	PART NO.	DESCRIPTION
1	420-020JKNF	SCREW, 1/8 FLAT HEX HEAD X 1/2	13	274-014JKRBF	NUT, CAP
2	633-123JKNF	INDEX BUTTON (BLUE)	14	377-XKLHJKABNF	LH CERAMIC CARTRIDGE 1/4
3	633-023JKNF	INDEX BUTTON (RED)	15	377-XKRHJKABNF	RH CERAMIC CARTRIDGE 1/4
4	317-PRJKCP	HANDLE, 4" WRISTBLADE (PAIR)	16	250-004JKNF	LOCKNUT
5	785-400JKCP	KIT, SPOUT ESCUTCHEON	17	-----	BODY, VALVE
6	50-038JKNF	WAVE WASHER	18	49-005JKRBF	COUPLING NUT
7	785-400JKCP	ESCUTCHEON, SPOUT BASE	19	200-008JKNF	HANGER
8	888-027JKNF	SPOUT ESCUTCHEON WASHER	20	786-001JKABRBF	ADAPTER, RESTRICTED SWING
9	422-113JKCP	ESCUTCHEON NUT	21	GN8ARSJKABCP	FOR PARTS SEE GN8ARSJKCP
10	250-082JKCP	ESCUTCHEON	22	E35VPJKABCP	OUTLET VP, AERATOR 1.5 GPM
11	200-009JKNF	CLIP, RETAIN	23	3-024JKRCF	KEY, VP
12	888-026JKNF	WASHER, SEALING			