

# PARTS LIST

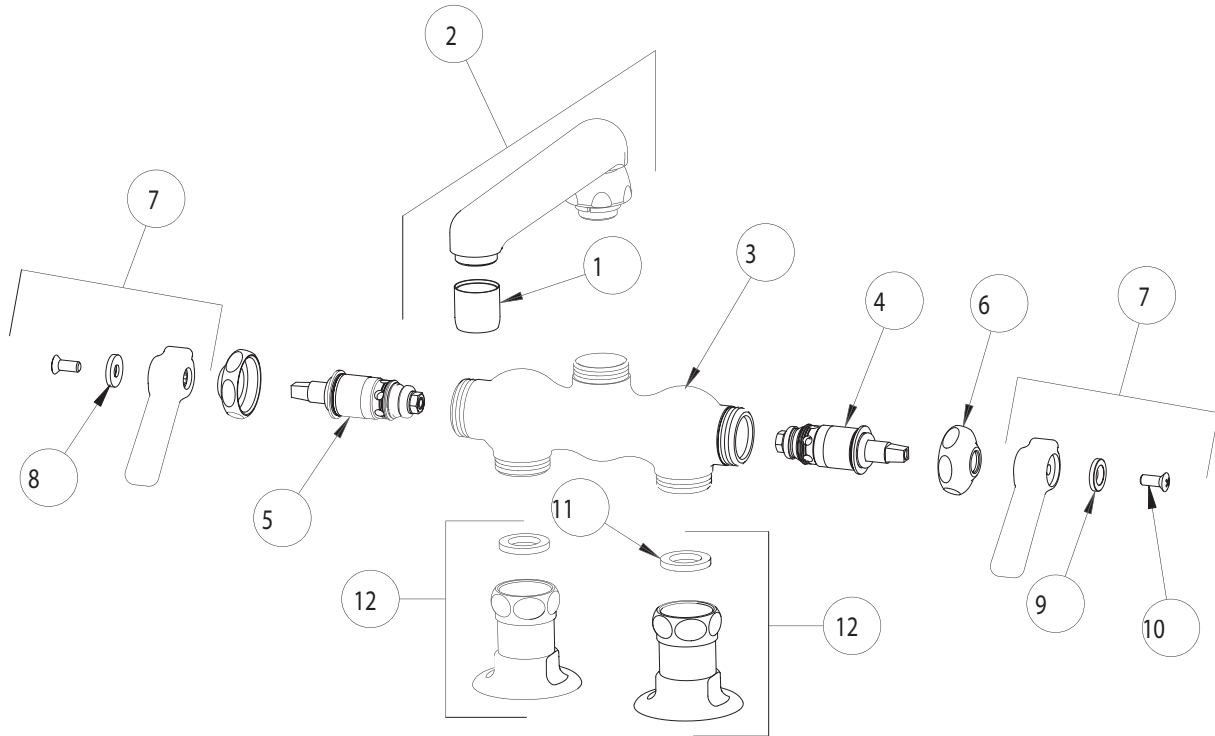
BY: SID  
CHK'D:



FINISH:  
DATE:

AS SPECIFIED  
10-03-01

772



ITEM NO.	PART NO.	DESCRIPTION	ITEM NO.	PART NO.	DESCRIPTION
1	E3	OUTLET	8	633-023	INDEX BUTTON (RED)
2	S6	FOR PARTS SEE S6 INCLUDES E3	9	633-123	INDEX BUTTON (BLUE)
3	-----	VALVE BODY (NOT SOLD SEPARATELY)	10	420-010	SCREW
4	1-099XT	QUATURN UNIT (RH)	11	1-011	WASHER
5	1-100XT	QUATURN UNIT (LH)	12	W	STRAIGHT SHANK ASSEMBLY w/WASHER
6	1-214	CAP			
7	369PR	LEVER HANDLE ASSEMBLY			