

**CHICAGO FAUCETS**  
a Geberit company

2100 South Clearwater Drive  
Des Plaines, IL 60018  
Phone: 847-803-5000  
Fax: 847-803-5454  
www.chicagofaucets.com

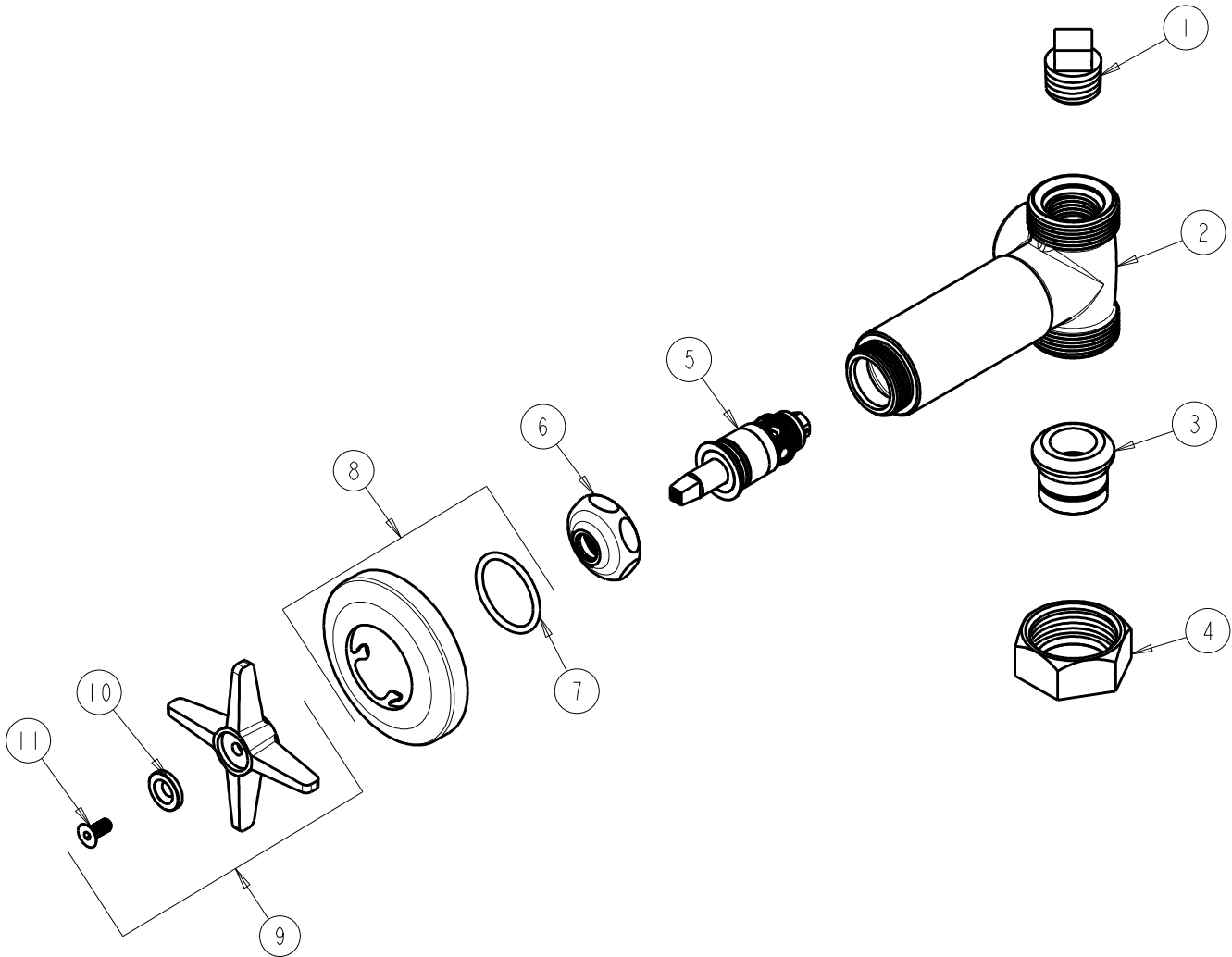
**REPAIR PARTS**

BY: SID DATE: 12-05-16  
CHK: *DR* REV:

FITTING NO.  
**769-COLDABCP**  
SUBMITTED MODEL NO.

**FOR TECHNICAL ASSISTANCE**  
1-800-TEC-TRUE (1-800-832-8783)

ITEM NO.



ITEM	PART NO.	DESCRIPTION	ITEM	PART NO.	DESCRIPTION
1	234-032JKABRCF	1/2 NPT PLUG	7	5235-107JKNF	O-RING
2	-----	VALVE BODY	8	633-201JKCP	FLANGE & O-RING
3	177-003JKABRBF	UNION TAILPIECE	9	633-COLDJKCP	4-ARM CROSS HANDLE ASSEMBLY
4	177-002JKCP	UNION NUT	10	633-123JKNF	INDEX BUTTON (BLUE)
5	217-XTLHJKABNF	CARTRIDGE, SLO-COMPRESSION (LH)	11	420-020JKNF	SCREW, 1/8 FLAT HEX HEAD X 1/2
6	1-214JKCP	CAP			