

**CHICAGO FAUCETS**  
a Geberit company

2100 South Clearwater Drive  
Des Plaines, IL 60018  
Phone: 847-803-5000  
Fax: 847-803-5454  
www.chicagofaucets.com

**REPAIR PARTS**

FITTING NO.

**631-RABCP**

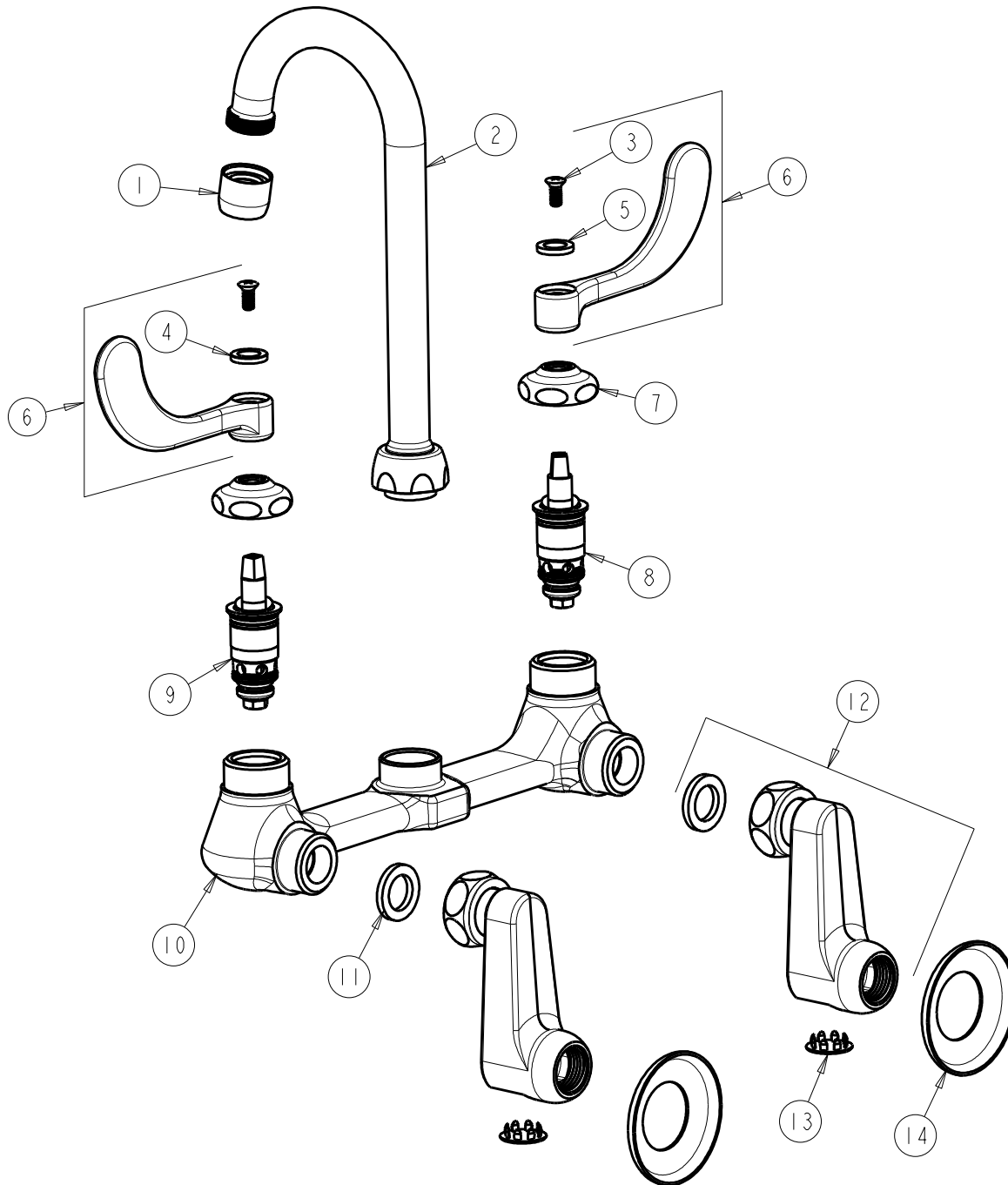
SUBMITTED MODEL NO.

ITEM NO.

**FOR TECHNICAL ASSISTANCE**  
1-800-TEC-TRUE (1-800-832-8783)

BY: SID DATE: 06-11-12

CHK: *[Signature]* REV:



ITEM	PART NO.	DESCRIPTION	ITEM	PART NO.	DESCRIPTION
1	E3JKCP	SOFTFLO AERATOR 2.2 GPM	8	1-100XTJKABNF	QUATURN CARTRIDGE (LH)
2	GN1AJKABCP	SPOUT	9	1-099XTJKABNF	QUATURN CARTRIDGE (RH)
3	420-010JKRCF	SCREW, 10-32 UNC PH 1/2	10	---	VALVE BODY (NOT SOLD SEPARATELY)
4	633-123JKNF	INDEX BUTTON (BLUE)	11	1-011JKNF	WASHER, .97 X .62 X .12
5	633-023JKNF	INDEX BUTTON (RED)	12	RJKABCP	SUPPLY ARM WITH BUILT-IN SHUT-OFF
6	317-PRJKCP	HANDLE, 4" WRISTBLADE (PAIR)	13	1-144JKCP	BUTTON
7	1-214JKCP	CAP	14	1-055JKCP	FLANGE