

**CHICAGO FAUCETS**  
a Geberit company

2100 South Clearwater Drive  
Des Plaines, IL 60018  
Phone: 847-803-5000  
Fax: 847-803-5454  
www.chicagofaucets.com

**REPAIR PARTS**

FITTING NO.

**631-RXKCP**

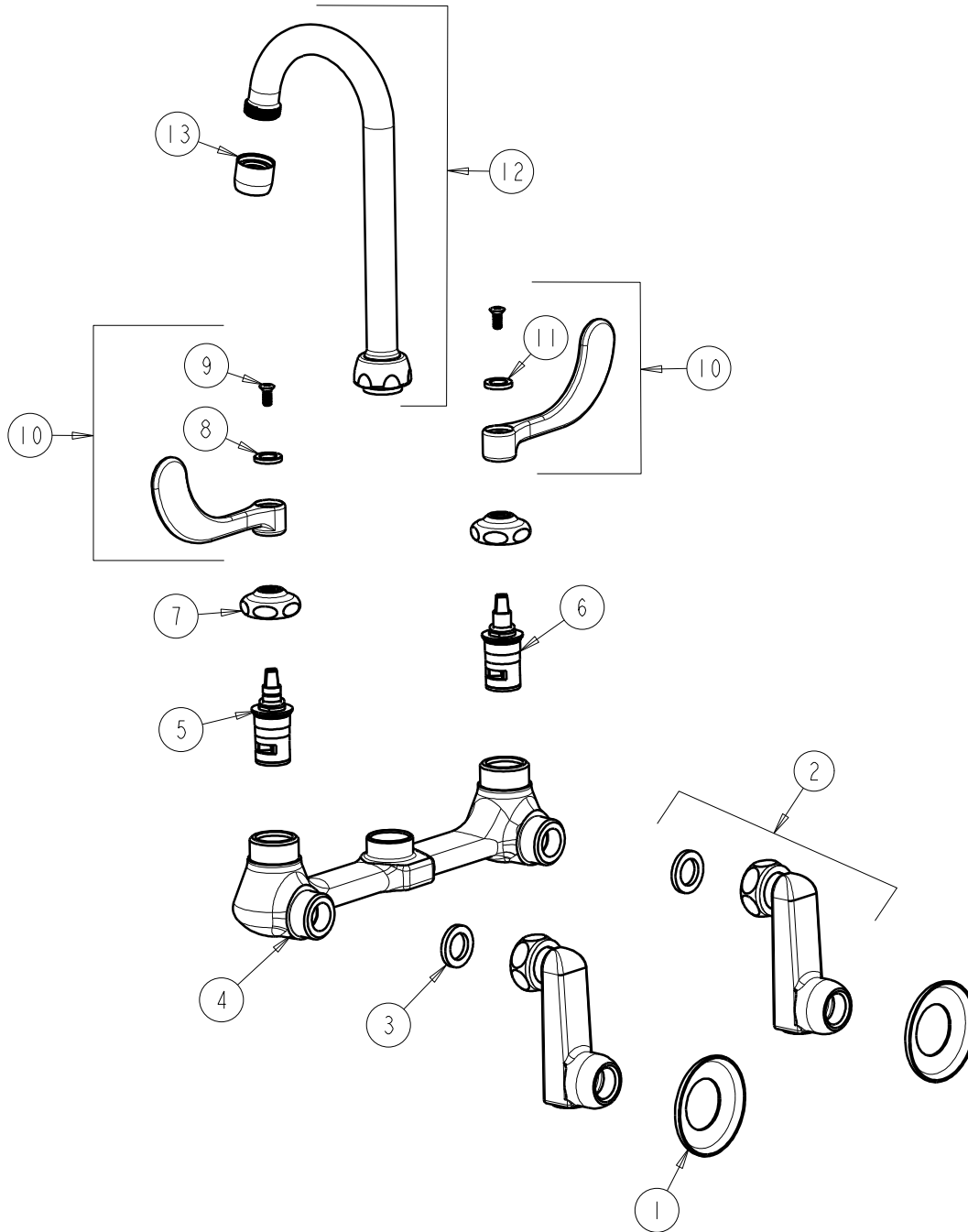
SUBMITTED MODEL NO.

ITEM NO.

**FOR TECHNICAL ASSISTANCE**  
1-800-TEC-TRUE (1-800-832-8783)

BY: JAR DATE: 05-14-09

CHK: *[Signature]* REV:



ITEM	PART NO.	DESCRIPTION	ITEM	PART NO.	DESCRIPTION
1	1-055JKCP	FLANGE	8	633-123JKNF	INDEX BUTTON (BLUE)
2	RJKCP	SUPPLY ARM ASSEMBLY	9	420-010JKRCF	SCREW, 10-32 UNC PH 1/2
3	1-011JKNF	WASHER, .97 X .62 X .12	10	317-PRJKCP	HANDLE, 4" WRISTBLADE (PAIR)
4	—	VALVE BODY (NOT SOLD SEPARATELY)	11	633-023JKNF	INDEX BUTTON (RED)
5	1-099XKJKNF	RH CERAMIC CARTRIDGE 1/4	12	GN1AE3JKCP	FOR PARTS SEE GN1AE3JKCP
6	1-100XKJKNF	LH CERAMIC CARTRIDGE 1/4	13	E3JKCP	SOFTFLO AERATOR
7	1-214JKCP	CAP			