

**CHICAGO FAUCETS**  
a Geberit company

2100 South Clearwater Drive  
Des Plaines, IL 60018  
Phone: 847-803-5000  
Fax: 847-803-5454  
www.chicagofaucets.com

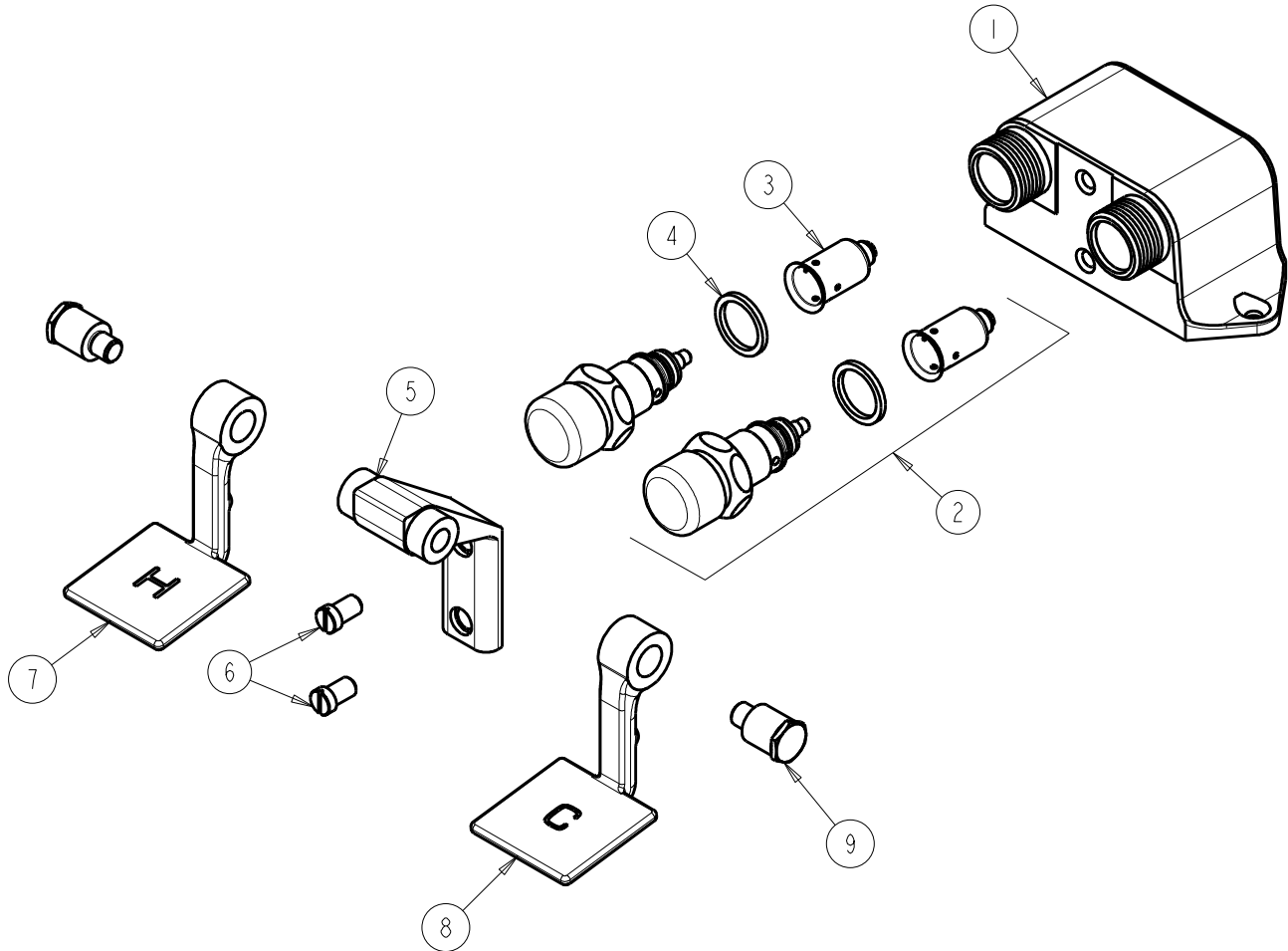
# REPAIR PARTS

BY: SID DATE: 09-13-01  
CHK: *[Signature]* REV: 06-20-11

FITTING NO.  
**625-SLOCP**  
SUBMITTED MODEL NO.

**FOR TECHNICAL ASSISTANCE**  
1-800-TEC-TRUE (1-800-832-8783)

ITEM NO.



ITEM	PART NO.	DESCRIPTION
1	---	VALVE BODY (NOT SOLD SEPARATELY)
2	628-XSLOJKNF	FOR PARTS SEE 628-XSLOJKNF
3	333-073JKNF	DASHPOT, SLOW
4	1-043JKNF	GASKET, CAP 1 X .80 X .09
5	625-060JKCP	BRACKET
6	625-006JKNF	SCREW, PAN HEAD 5/16-18 UNC
7	625-058JKNF	PEDAL, HOT
8	625-158JKNF	PEDAL, COLD
9	625-061JKRCF	BOLT, SHOULDER 3/8-24 UNF X 5/8 HEX