



a Geberit company

2100 South Clearwater Drive
Des Plaines, IL 60018
Phone: 847-803-5000
Fax: 847-803-5454
www.chicagofaucets.com

REPAIR PARTS

BY: SID DATE: 04-18-16

CHK: S/D REV:

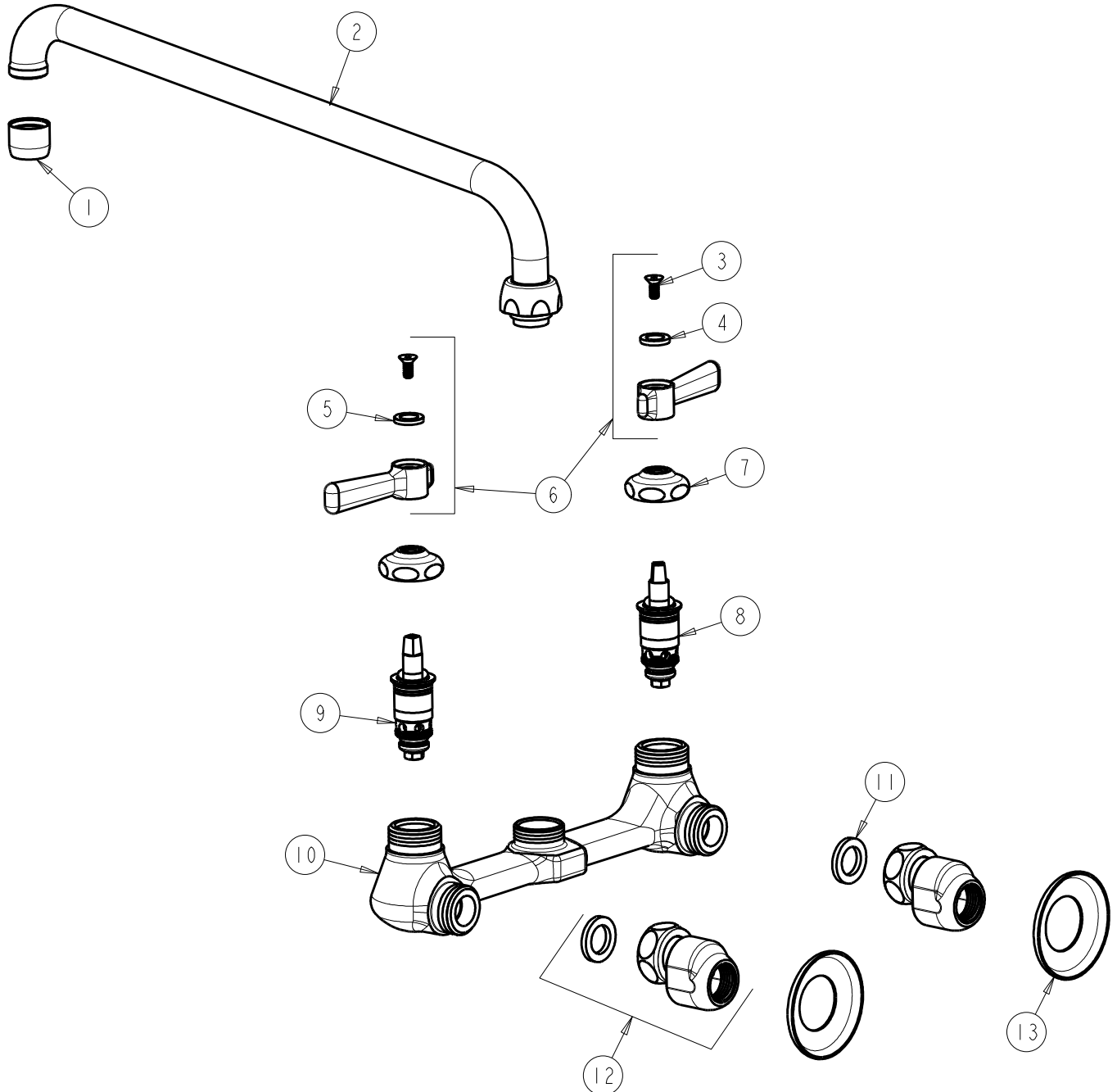
FITTING NO.

540-LDL15E35ABCP

SUBMITTED MODEL NO.

ITEM NO.

FOR TECHNICAL ASSISTANCE
1-800-TEC-TRUE (1-800-832-8783)



ITEM	PART NO.	DESCRIPTION	ITEM	PART NO.	DESCRIPTION
1	E35JKABCP	OUTLET, AERATOR 1.5 GPM	8	1-100XTJKABNF	QUATURN CARTRIDGE (LH)
2	L15LEOJKABCP	SPOUT, 14" C-C	9	1-099XTJKABNF	QUATURN CARTRIDGE (RH)
3	420-020JKNF	SCREW, 1/8 FLAT HEX HEAD X 1/2	10	-----	VALVE BODY (NOT SOLD SEPARATELY)
4	633-023JKNF	INDEX BUTTON (RED)	11	1-011JKABNF	WASHER, .97 X .62 X .12
5	633-123JKNF	INDEX BUTTON (BLUE)	12	GJKABCP	ARM ASSEMBLY w/WASHER
6	369-PRJKCP	HANDLE, 2-3/8" LEVER (PAIR)	13	1-055JKCP	FLANGE
7	1-214JKCP	CAP			