

CHICAGO FAUCETS

a Geberit company

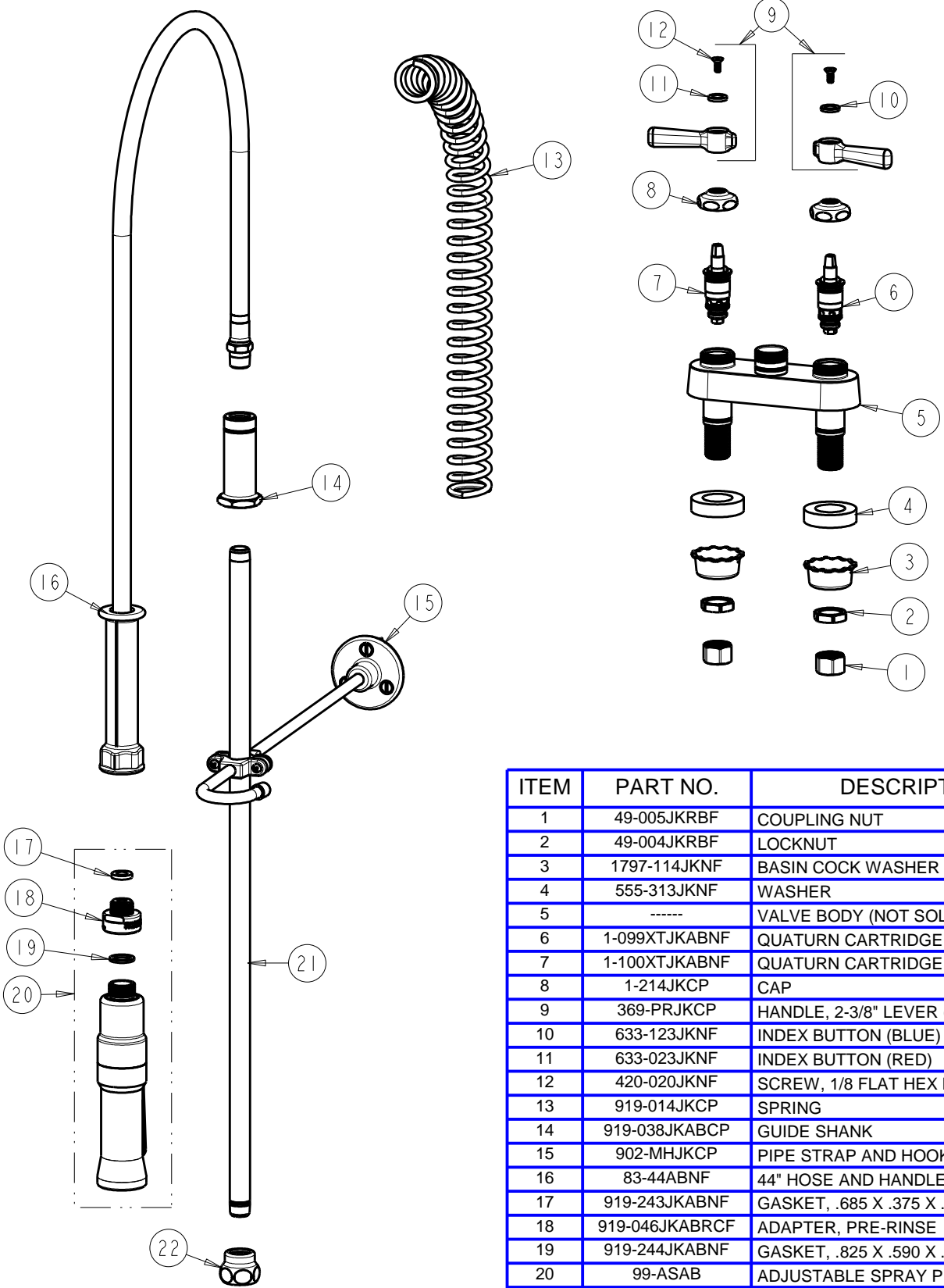
2100 South Clearwater Drive
Des Plaines, IL 60018
Phone: 847-803-5000
Fax: 847-803-5454
www.chicagofaucets.com

FOR TECHNICAL ASSISTANCE
1-800-TEC-TRUE (1-800-832-8783)

REPAIR PARTS

BY: JAR DATE: 03-27-15
CHK: *JAR* REV:

FITTING NO.
526-919SASABCP
SUBMITTED MODEL NO.
ITEM NO.



ITEM	PART NO.	DESCRIPTION
1	49-005JKRBF	COUPLING NUT
2	49-004JKRBF	LOCKNUT
3	1797-114JKNF	BASIN COCK WASHER
4	555-313JKNF	WASHER
5	-----	VALVE BODY (NOT SOLD SEPARATELY)
6	1-099XTJKABNF	QUATURN CARTRIDGE (RH)
7	1-100XTJKABNF	QUATURN CARTRIDGE (LH)
8	1-214JKCP	CAP
9	369-PRJKCP	HANDLE, 2-3/8" LEVER (PAIR)
10	633-123JKNF	INDEX BUTTON (BLUE)
11	633-023JKNF	INDEX BUTTON (RED)
12	420-020JKNF	SCREW, 1/8 FLAT HEX HEAD X 1/2
13	919-014JKCP	SPRING
14	919-038JKABCP	GUIDE SHANK
15	902-MHJKCP	PIPE STRAP AND HOOK ASSEMBLY
16	83-44ABNF	44" HOSE AND HANDLE ASSEMBLY
17	919-243JKABNF	GASKET, .685 X .375 X .125
18	919-046JKABRCF	ADAPTER, PRE-RINSE
19	919-244JKABNF	GASKET, .825 X .590 X .072
20	99-ASAB	ADJUSTABLE SPRAY PRE-RINSE VALVE
21	919-039JKABCP	3/8" NPT X 23" RISER
22	BA2JKABCP	ADAPTER 3/8 NPT X 1 1/16-18 UNEF