

CHICAGO FAUCETS 

a Geberit company

FOR TECHNICAL ASSISTANCE
1-800-TEC-TRUE (1-800-832-8783)

2100 South Clearwater Drive
Des Plaines, IL 60018
Phone: 847-803-5000
Fax: 847-803-5454
www.chicagofaucets.com

REPAIR PARTS

BY: SID DATE: 08-18-15

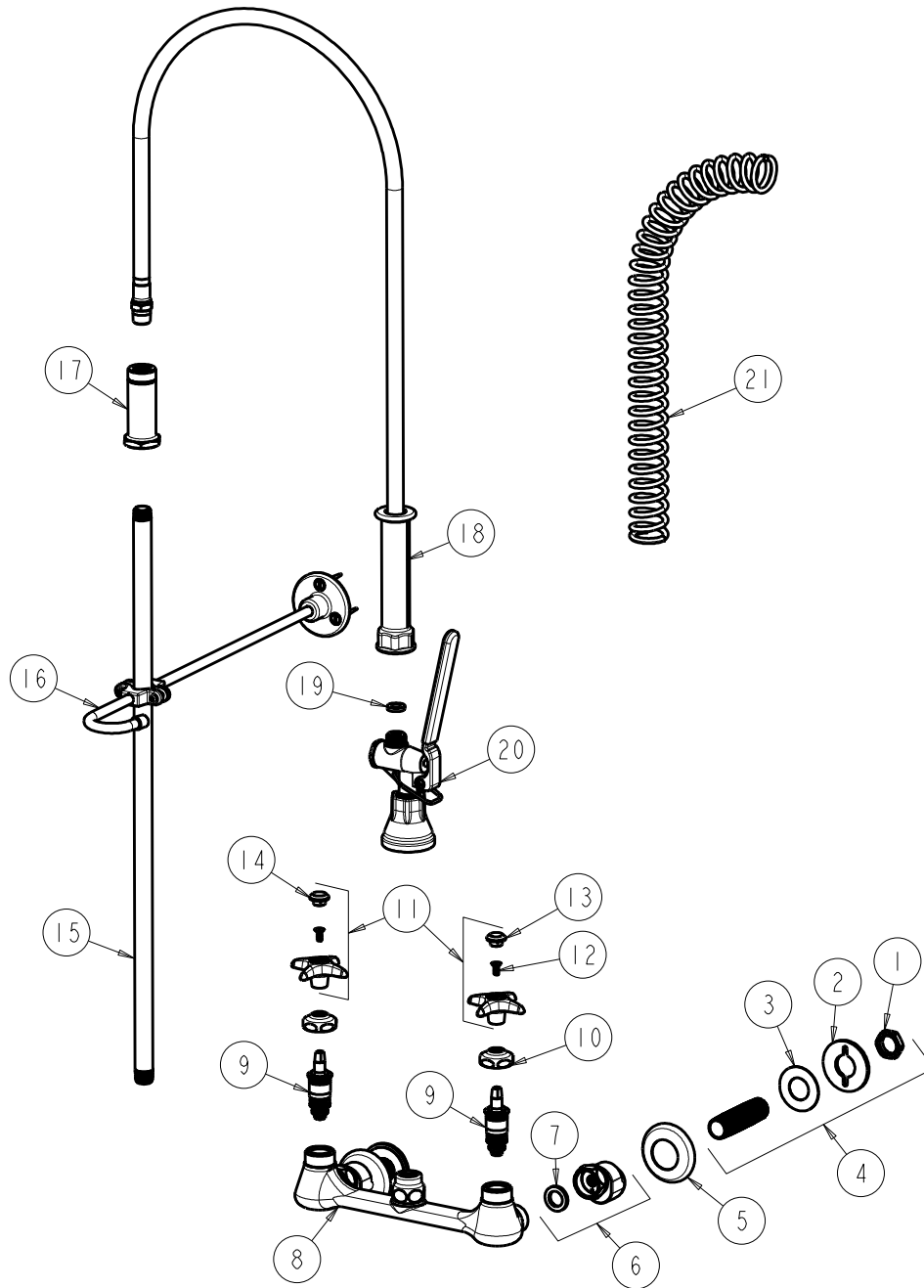
CHK: *AK* REV:

FITTING NO.

510-GCL204WSAB

SUBMITTED MODEL NO.

ITEM NO.



ITEM	PART NO.	DESCRIPTION	ITEM	PART NO.	DESCRIPTION
1	49-004JKRBF	LOCKNUT	12	420-020JKNF	SCREW, 1/8 FLAT HEX HEAD X 1/2
2	807-112JKNF	WASHER	13	216-178JKNF	BUTTON 'CW'
3	333-103JKNF	RUBBER WASHER	14	216-128JKNF	BUTTON 'HW'
4	932-001KJKABRBF	INLET SHANK ASSEMBLY	15	919-039JKABCP	3/8" NPT X 23" RISER
5	1-055JKCP	FLANGE	16	902-MHJKCP	PIPE STRAP AND HOOK ASSEMBLY
6	GCJKABCP	ARM ASSEMBLY 'GC' WITH WASHER	17	919-038JKABCP	GUIDE SHANK
7	1-011JKABNF	WASHER, .97 X .62 X .12	18	83-44ABNF	44" HOSE AND HANDLE ASSEMBLY
8	-----	VALVE BODY	19	919-243JKABNF	GASKET, .685 X .375 X .125
9	217-XTLHJKABNF	CARTRIDGE, SLO-COMPRESSION (LH)	20	90-LABCP	PRE-RINSE VALVE, LOW FLOW
10	1-214JKCP	CAP	21	919-014JKCP	SPRING
11	204-PRJKCP	HANDLE, 4 ARM (PAIR)			