

CHICAGO FAUCETS

a Geberit company

2100 South Clearwater Drive
Des Plaines, IL 60018
Phone: 847-803-5000
Fax: 847-803-5454
www.chicagofaucets.com

REPAIR PARTS

BY: JAR DATE: 03-27-15
CHK: *JAR* REV:

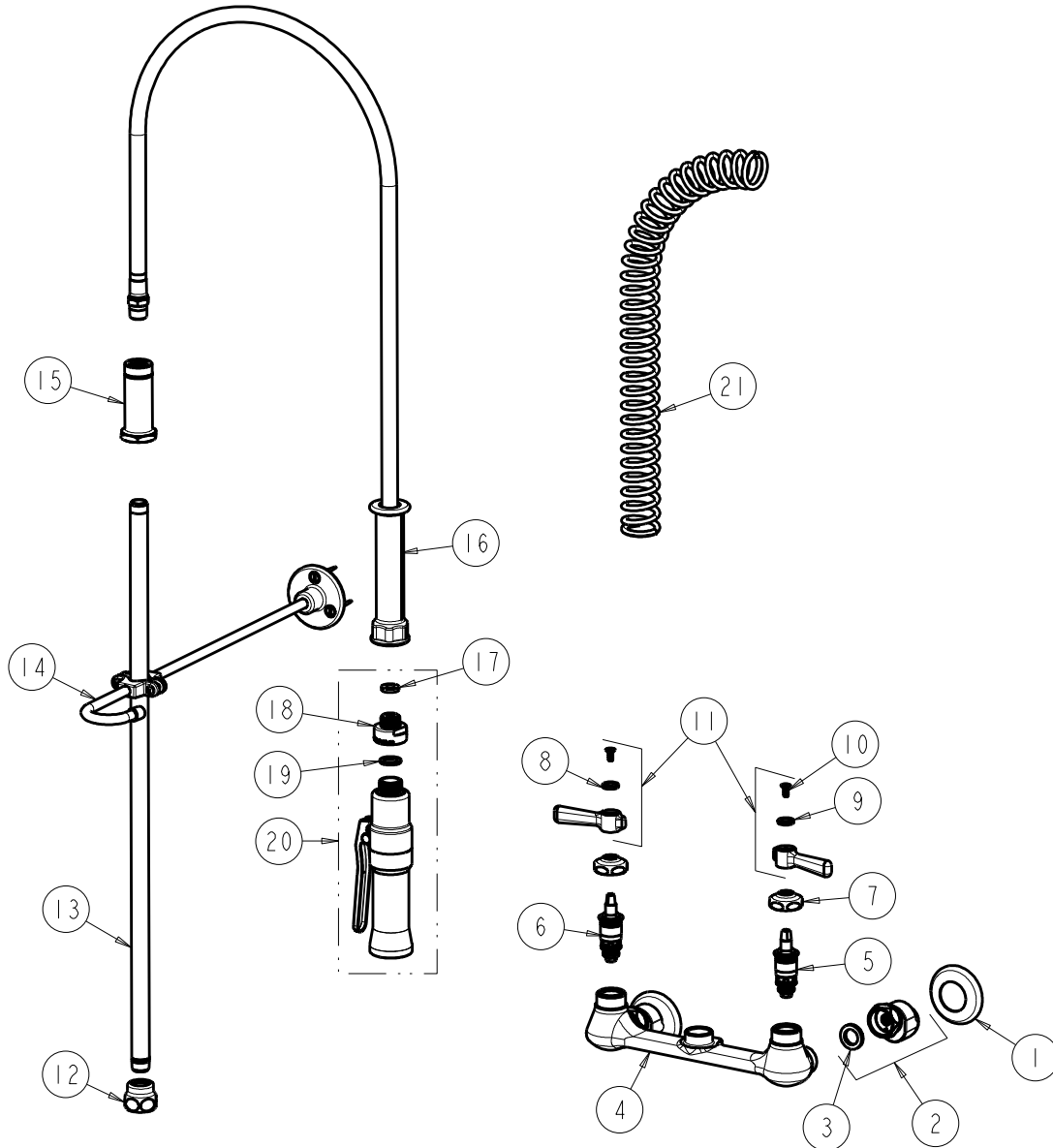
FITTING NO.

510-GCASABCP

SUBMITTED MODEL NO.

ITEM NO.

FOR TECHNICAL ASSISTANCE
1-800-TEC-TRUE (1-800-832-8783)



ITEM	PART NO.	DESCRIPTION	ITEM	PART NO.	DESCRIPTION
1	1-055JKCP	FLANGE	12	BA2JKABCP	ADAPTER 3/8 NPT X 1 1/16-18 UNEF
2	GCJKABCP	ARM ASSEMBLY 'GC' WITH WASHER	13	919-039JKABCP	3/8" NPT X 23" RISER
3	1-011JKABNF	WASHER, .97 X .62 X .12	14	902-MHJKCP	PIPE STRAP AND HOOK ASSEMBLY
4	----	VALVE BODY (NOT SOLD SEPARATELY)	15	919-038JKABCP	GUIDE SHANK
5	1-099XTJKABNF	QUATURN CARTRIDGE (RH)	16	83-44ABNF	44" HOSE AND HANDLE ASSEMBLY
6	1-100XTJKABNF	QUATURN CARTRIDGE (LH)	17	919-243JKABNF	GASKET, .685 X .375 X .125
7	1-214JKCP	CAP	18	919-046JKABRCF	ADAPTER, PRE-RINSE
8	633-023JKNF	INDEX BUTTON (RED)	19	919-244JKABNF	GASKET, .825 X .590 X .072
9	633-123JKNF	INDEX BUTTON (BLUE)	20	99-ASAB	ADJUSTABLE SPRAY PRE-RINSE VALVE
10	420-020JKNF	SCREW, 1/8 FLAT HEX HEAD X 1/2	21	919-014JKCP	SPRING
11	369-PRJKCP	HANDLE, 2-3/8" LEVER (PAIR)			