

CHICAGO FAUCETS
a Geberit company

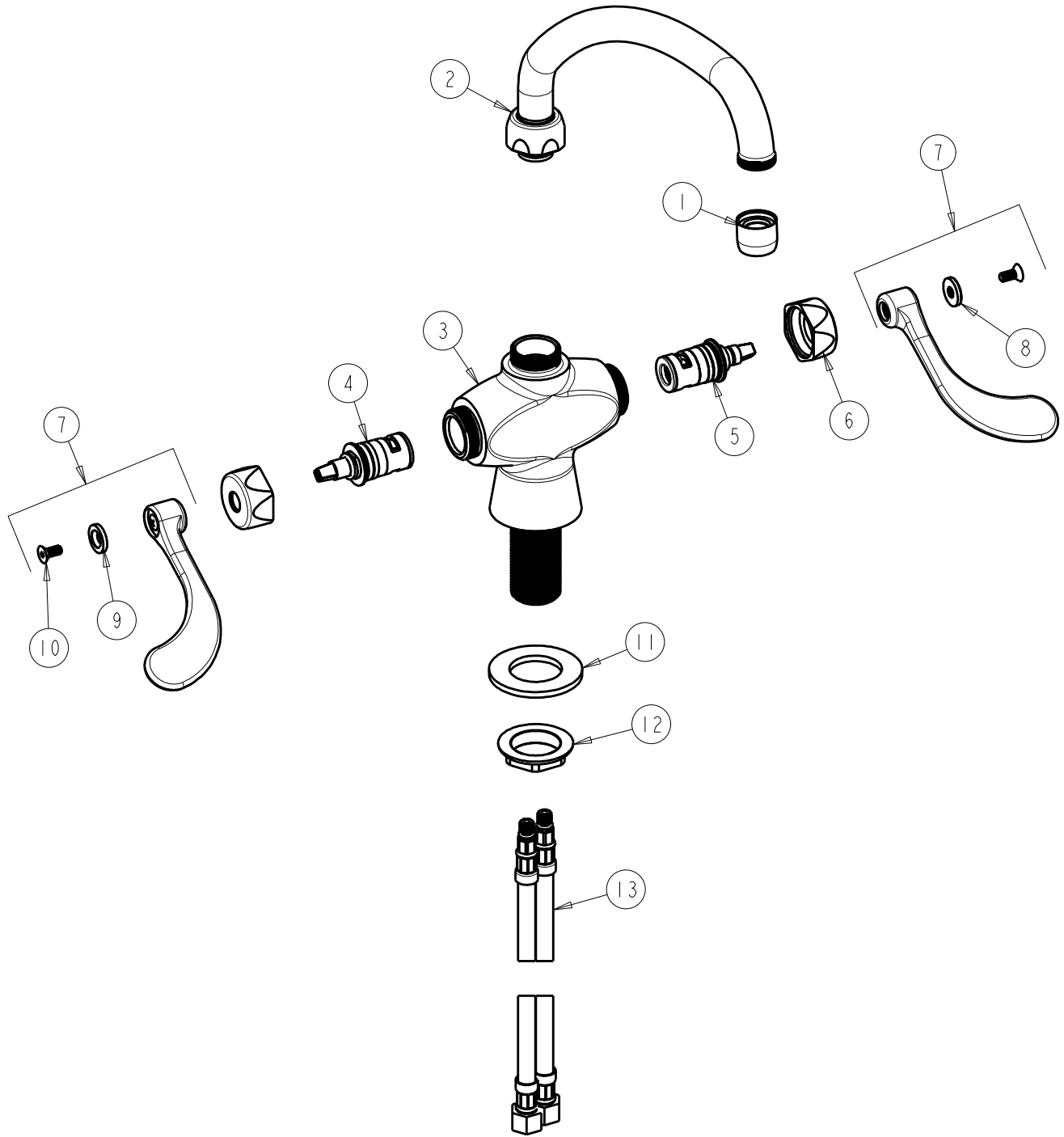
2100 South Clearwater Drive
Des Plaines, IL 60018
Phone: 847-803-5000
Fax: 847-803-5454
www.chicagofaucets.com

REPAIR PARTS

BY: SID DATE: 12-18-18
CHK: ~~042~~ REV:

FITTING NO.	50-L9E35-317XKABCP
SUBMITTED MODEL NO.	
ITEM NO.	

FOR TECHNICAL ASSISTANCE
1-800-TEC-TRUE (1-800-832-8783)



ITEM	PART NO.	DESCRIPTION	ITEM	PART NO.	DESCRIPTION
1	E35JKABCP	OUTLET, AERATOR 1.5 GPM	8	633-123JKNF	INDEX BUTTON (BLUE)
2	L9LEOJKAB	SPOUT, 9-1/2 C-C	9	633-023JKNF	INDEX BUTTON (RED)
3	-----	VALVE BODY (NOT SOLD SEPARATELY)	10	420-020JKNF	SCREW, 1/8 FLAT HEX HEAD X 1/2
4	1-100XKJKABNF	LH CERAMIC CARTRIDGE 1/4	11	50-014JKNF	STEEL WASHER
5	1-099XKJKABNF	RH CERAMIC CARTRIDGE 1/4	12	50-003JKRBF	LOCKNUT
6	444-005JKCP	CAP	13	250-025KJKABNF	HOSE, SS BRAIDED 5/16-24 X 3/8
7	317-PRJKCP	HANDLE, 4" WRISTBLADE (PAIR)			