

# REPAIR PARTS

BY: SID    DATE: 10-09-09  
CHK: *[Signature]*    REV:

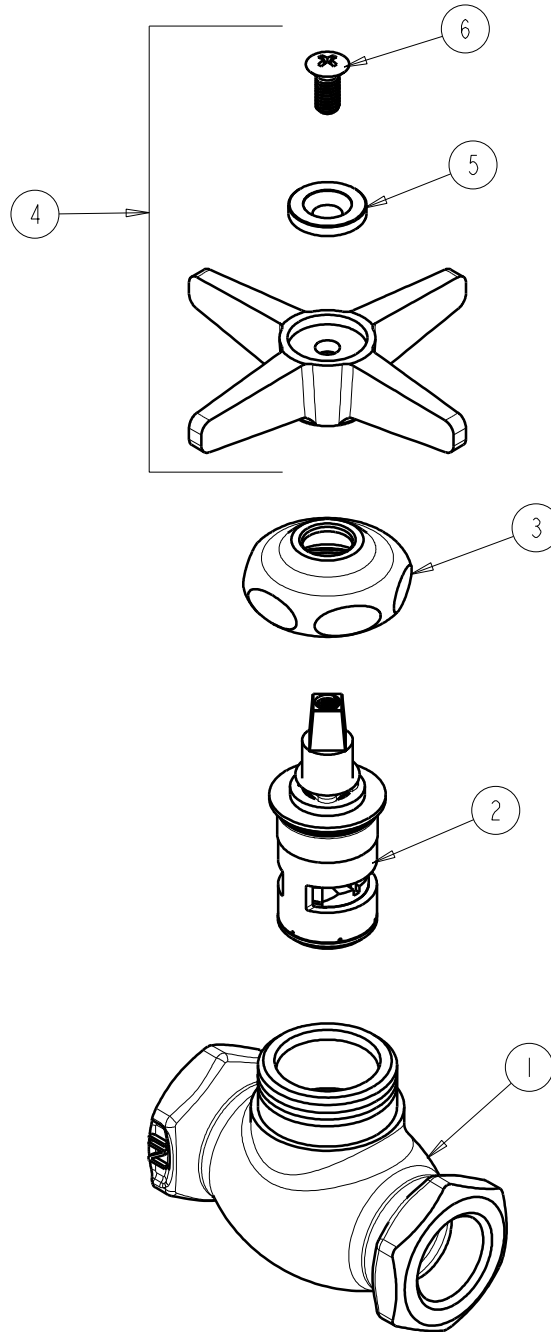
FITTING NO.

**45-XKCP**

SUBMITTED MODEL NO.

ITEM NO.

**FOR TECHNICAL ASSISTANCE**  
1-800-TEC-TRUE (1-800-832-8783)



ITEM	PART NO.	DESCRIPTION
1	—	BODY (NOT SOLD SEPARATELY)
2	1-100XKJKNF	LH CERAMIC QUATURN UNIT
3	1-214JKCP	CAP
4	633-PLJKCP	4-ARM CROSS HANDLE
5	633-223JKNF	INDEX BUTTON (WHITE)
6	420-010JKRCF	SCREW, 10-32 UNC PH 1/2